



BAIDOA WOMENS SPORTS STADIUM

PROJECT:

PROPOSED WOMENS SPORTS STADIUM -BAIDOA-

IMPLEMENTED BY:

DAL★BILE

DAL DADKIISAA DHISTA

SOMALI STABILIZATION INITIATIVES

CLIENT.



SOMALI REPUBLIC
Federal Government

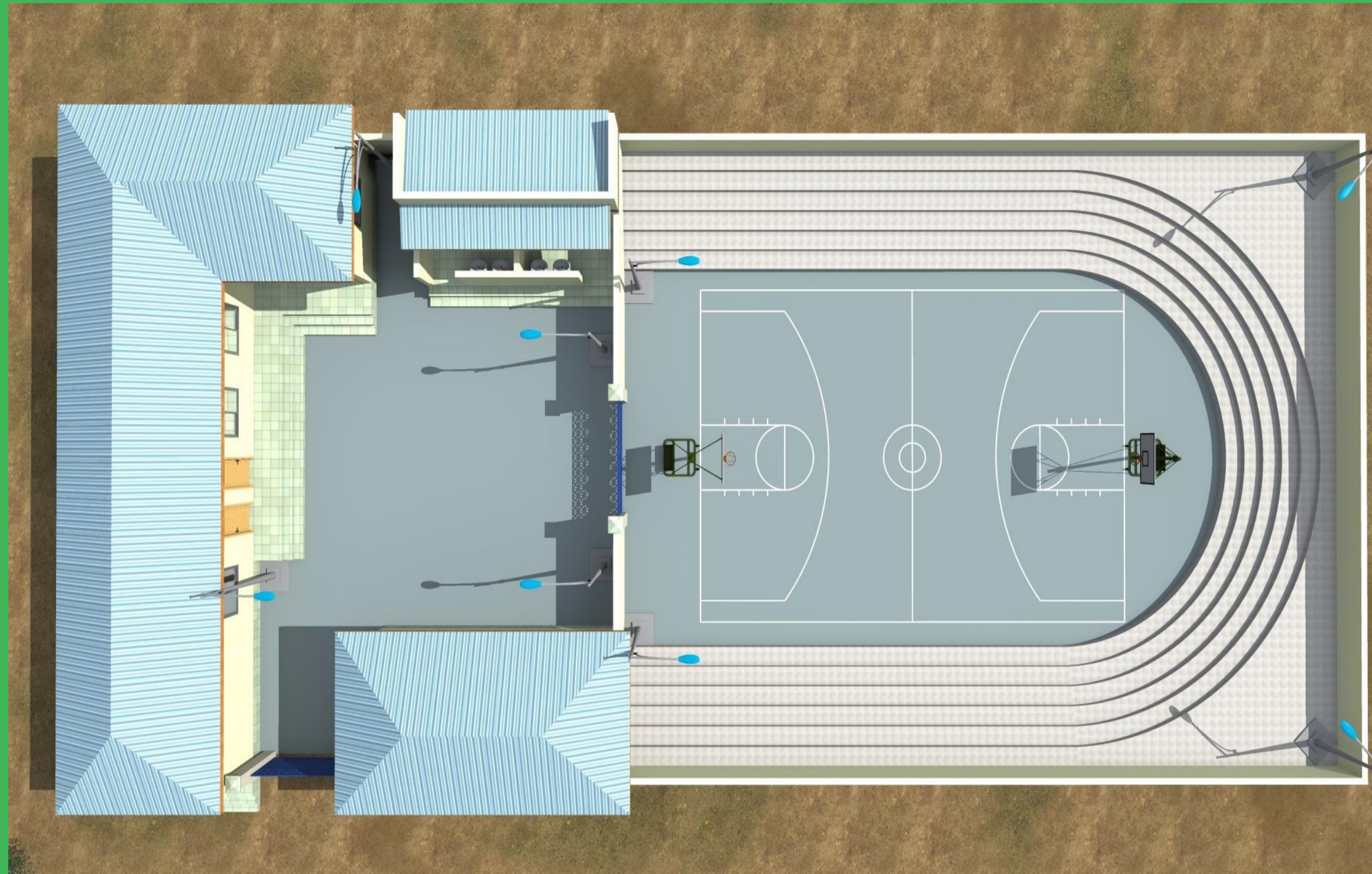
PROPOSED BAIDOA WOMENS SPORTS STADIUM

IOM GRANT N^o: [BAI057](#)

DATE: NOVEMBER 2017

DRAWING INDEX

	SHEET N ^o	DRAWING N ^o	DRAWING CONTENT
01.	01/17		Cover Page
02.	02/17		Drawing Index
03.	03/17		Site photos
04.	04/17		Site Plan
05.	05/17		Proposed Master Plan
06.	06/17		3D Renders_1
07.	07/17		3D Renders_2
08.	08/17		3D Renders_3
09.	09/17		Floor layout
10.	10/17		Elevations_1
11.	11/17		Elevations_2
12.	12/17		Elevations_3
13.	13/17		Elevations_4
14.	14/17		Structural details
15.	15/17		Electrical layout
16.	16/17		Septic tank and soak pit
17.	17/17		Area Schedule



SIGNED & STAMPED:

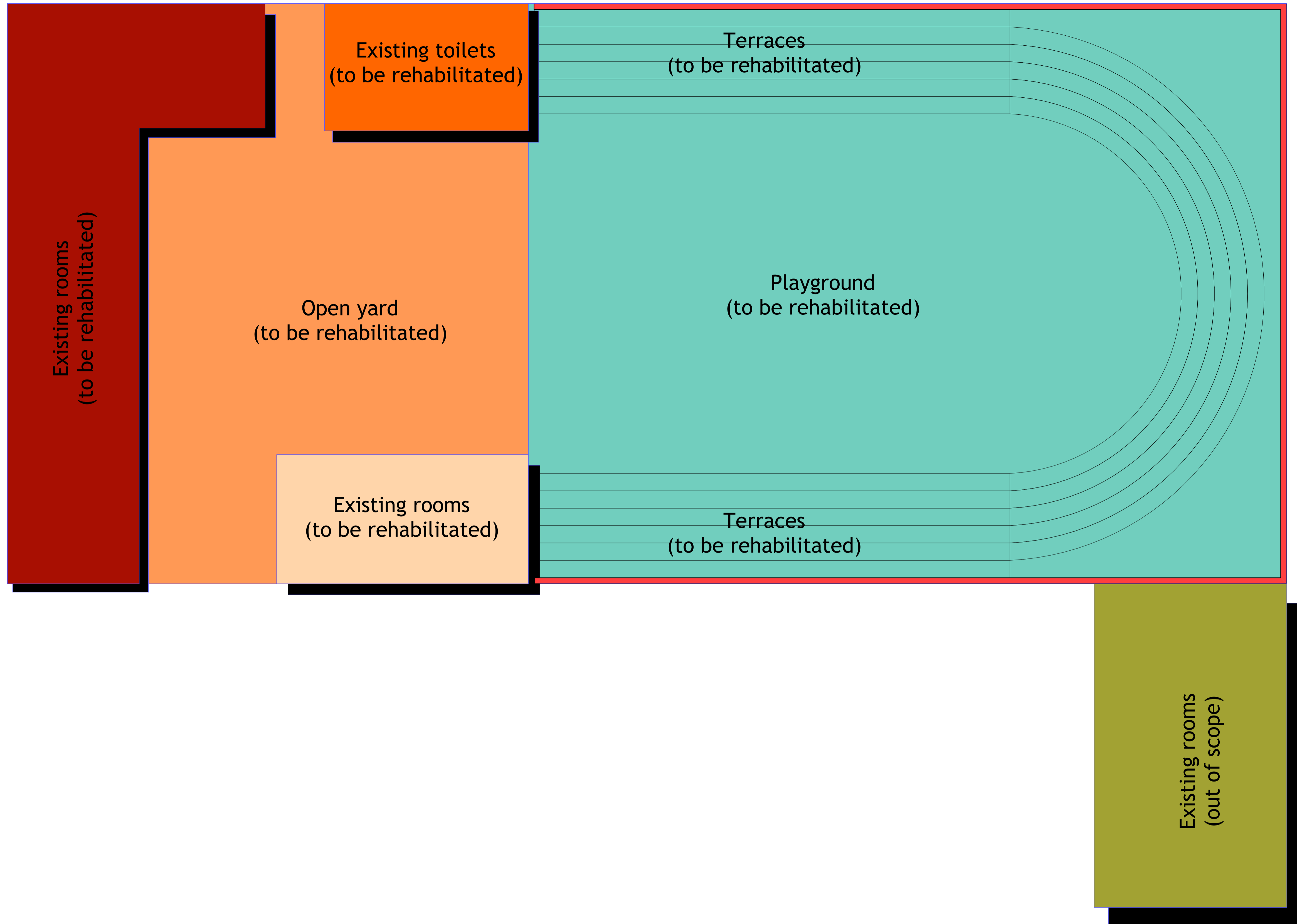


PROJECT.
**PROPOSED REHABILITATION OF
 WOMENS SPORTS STADIUM.**
 - BAIDOA DISTRICT -

SCALE: 1:100
 DATE: NOVEMBER 2017
 DRAWN BY: **ENG. JAMES NANDWA**
 REVIEWED BY:
 APPROVED BY:

DRAWING TITLE:
SITE PHOTOS
 DRAWING N^o:
 PROJECT N^o:
 IOM GRANT N^o:
BAI057

SITE PHOTOS
 SHEET N^o:
03/17

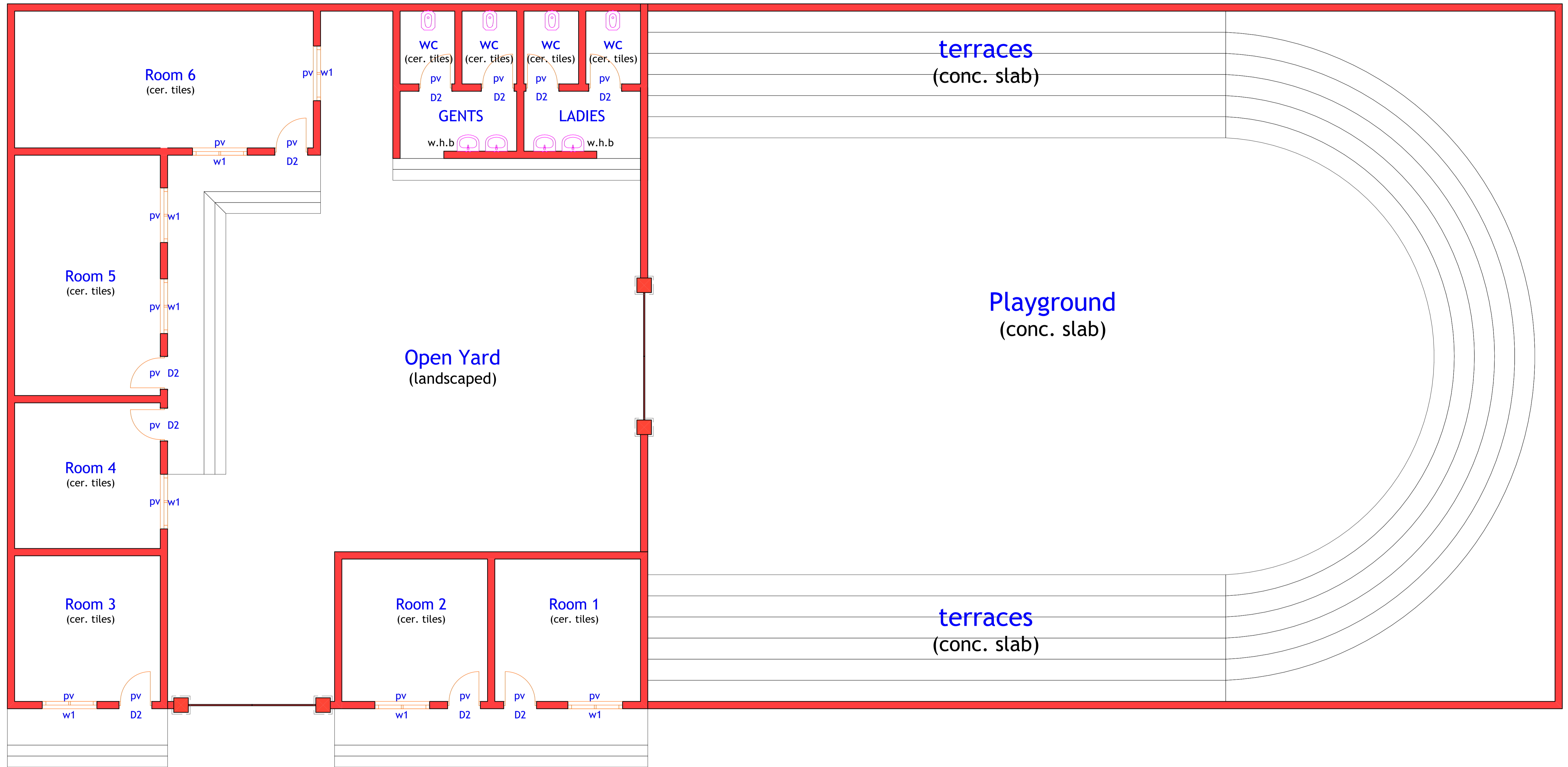


PROJECT.
**PROPOSED REHABILITATION OF
 WOMENS SPORTS STADIUM.**
 - BAIDOA DISTRICT -

SCALE: 1:100
 DATE: NOVEMBER 2017
 DRAWN BY: ENG. JAMES NANDWA
 REVIEWED BY:
 APPROVED BY:

DRAWING TITLE:
 SITE PHOTOS
 DRAWING N^o:
 PROJECT N^o:
 IOM GRANT N^o:
 BAI057

SITE PLAN
 SHEET N^o:
04/17



PROJECT.
**PROPOSED REHABILITATION OF
 WOMENS SPORTS STADIUM.**
 - BAIDOA DISTRICT -

SCALE: 1:100
 DATE: NOVEMBER 2017
 DRAWN BY: ENG. JAMES NANDWA
 REVIEWED BY:
 APPROVED BY:

DRAWING TITLE:
PROPOSED MASTER PLAN
 DRAWING N^o:
 PROJECT N^o:
 IOM GRANT N^o:
 BAI057

MASTER PLAN
 SHEET N^o:
05/17 A3

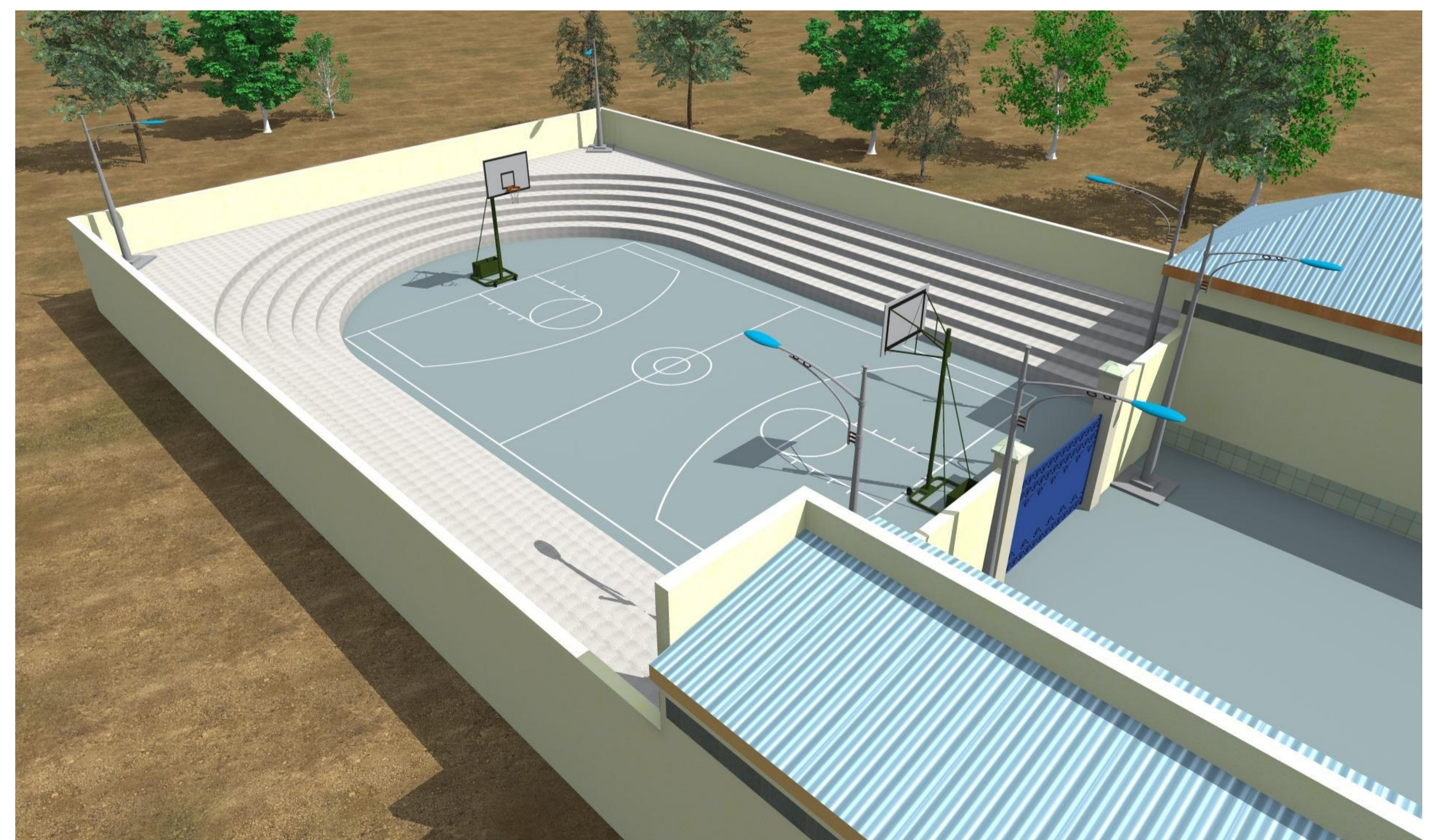
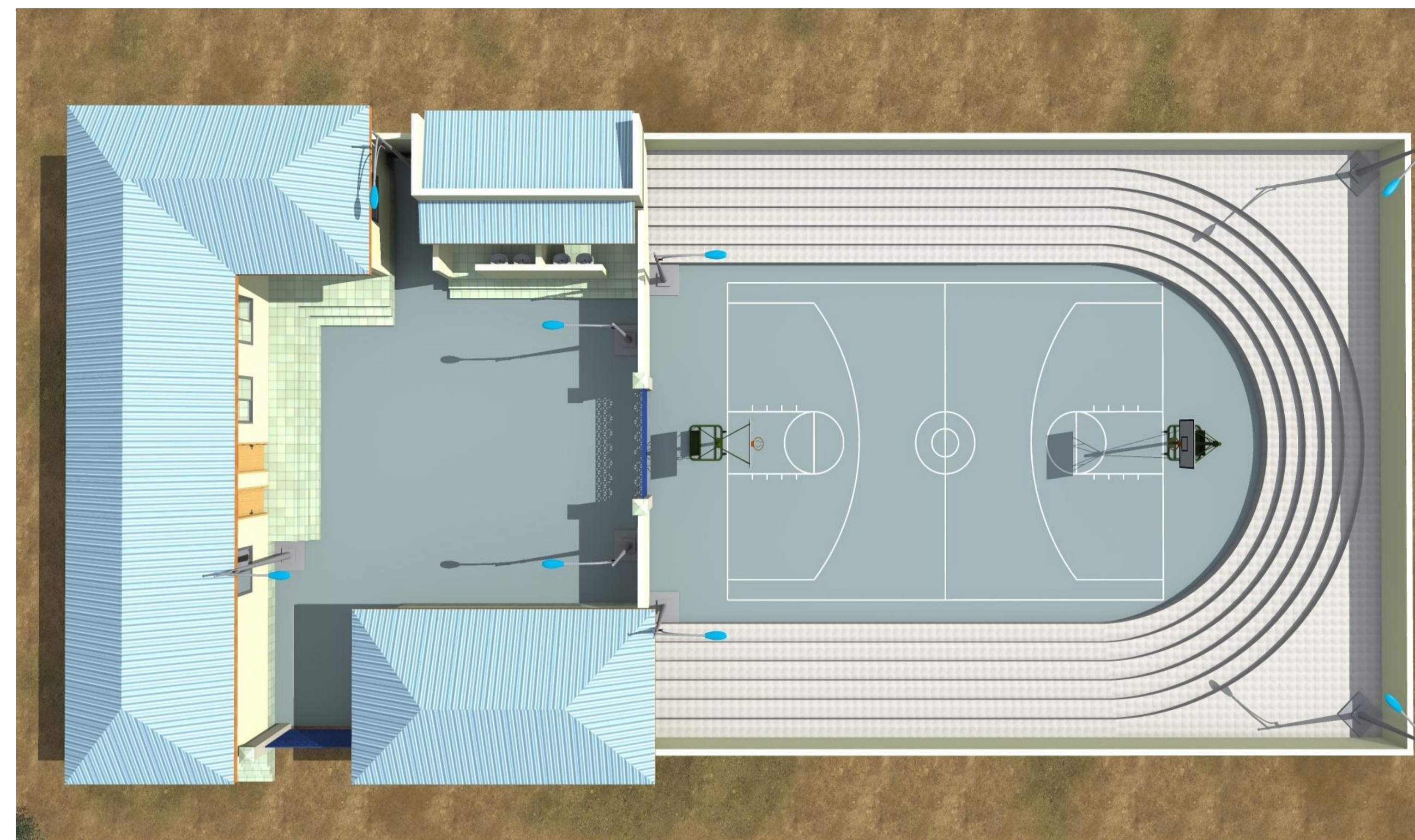


PROJECT.
**PROPOSED REHABILITATION OF
 WOMENS SPORTS STADIUM.**
 - BAIDOA DISTRICT -

SCALE: 1:100
 DATE: NOVEMBER 2017
 DRAWN BY: ENG. JAMES NANDWA
 REVIEWED BY:
 APPROVED BY:

DRAWING TITLE:
 3D PRESENTATION
 DRAWING N^o:
 PROJECT N^o:
 IOM GRANT N^o:
 BAI057

3 DIMENSIONAL
 SHEET N^o:
06/17

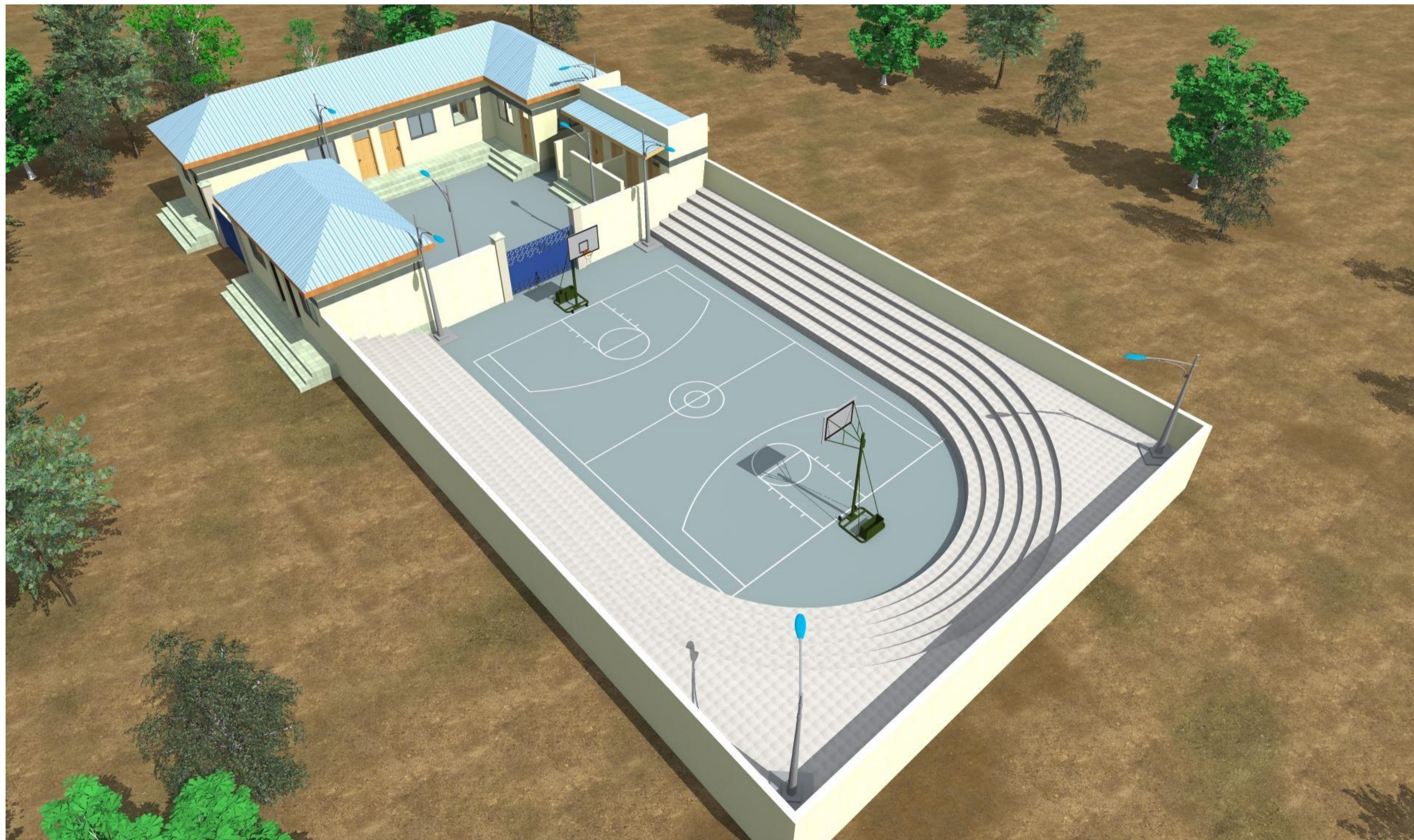


PROJECT.
**PROPOSED REHABILITATION OF
 WOMENS SPORTS STADIUM.**
 - BAIDOA DISTRICT -

SCALE: 1:100
 DATE: NOVEMBER 2017
 DRAWN BY: ENG. JAMES NANDWA
 REVIEWED BY:
 APPROVED BY:

DRAWING TITLE:
 3D PRESENTATION
 DRAWING N^o:
 PROJECT N^o:
 IOM GRANT N^o:
 BAI057

3 DIMENSIONAL
 SHEET N^o:
07/17

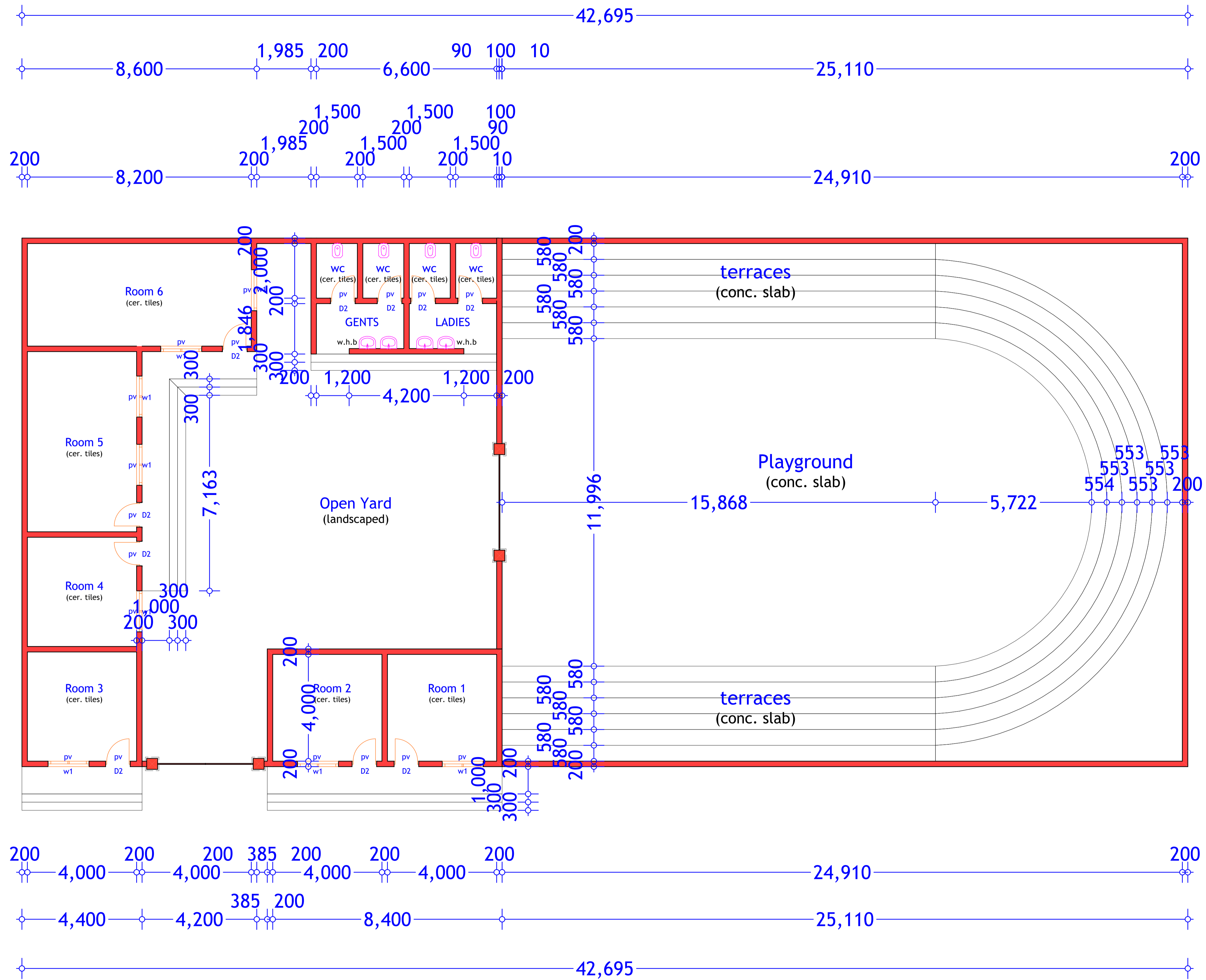


PROJECT.
**PROPOSED REHABILITATION OF
 WOMENS SPORTS STADIUM.**
 - BAIDOA DISTRICT -

SCALE: 1:100
 DATE: NOVEMBER 2017
 DRAWN BY: ENG. JAMES NANDWA
 REVIEWED BY:
 APPROVED BY:

DRAWING TITLE:
 3D PRESENTATION
 DRAWING N^o:
 PROJECT N^o:
 IOM GRANT N^o:
 BAI057

3 DIMENSIONAL
 SHEET N^o:
08/17



PROJECT.
**PROPOSED REHABILITATION OF
 WOMENS SPORTS STADIUM.**
 - BAIDOA DISTRICT -

SCALE: 1:100
 DATE: NOVEMBER 2017
 DRAWN BY: ENG. JAMES NANDWA
 REVIEWED BY:
 APPROVED BY:

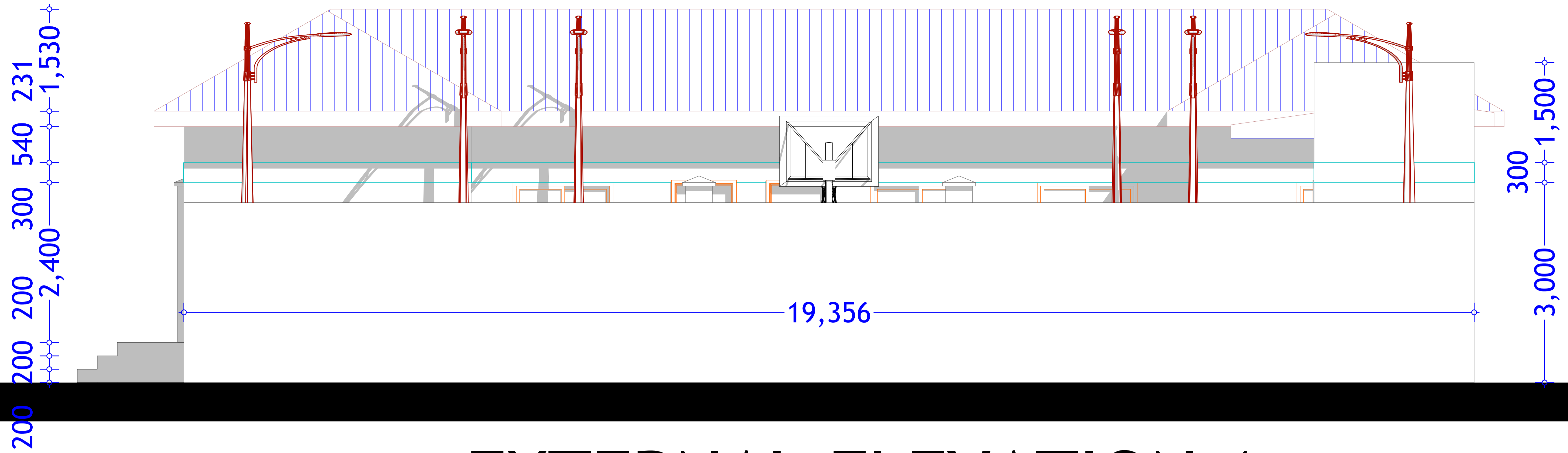
DRAWING TITLE:
FLOOR LAYOUT
 DRAWING N^o:
 PROJECT N^o:
 IOM GRANT N^o:
 BAI057

FLOOR LAYOUT

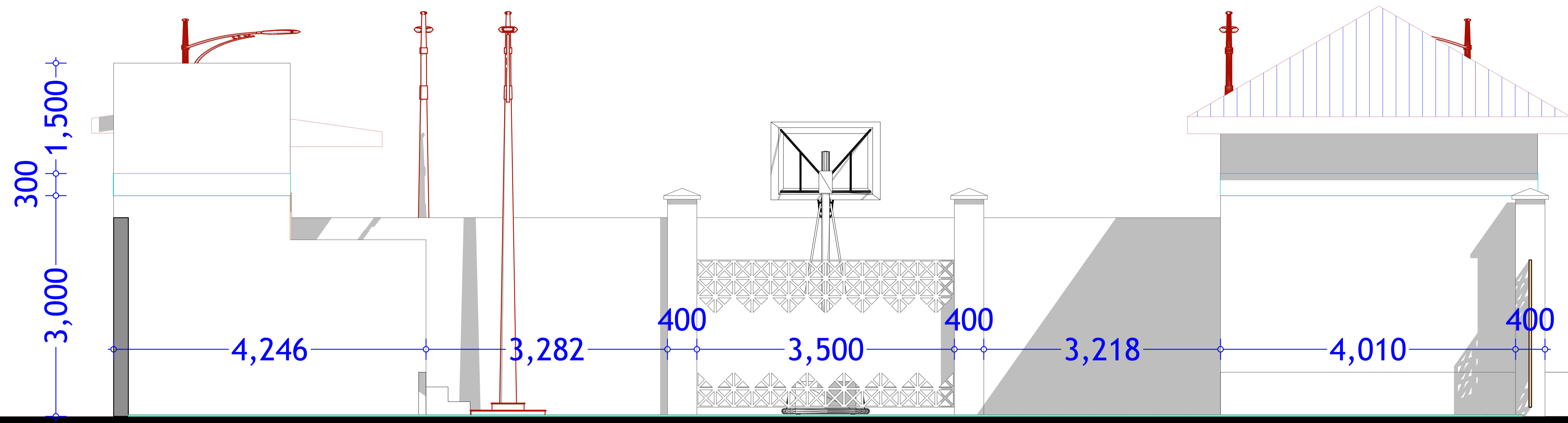
SHEET N^o:

09/17

A3



EXTERNAL ELEVATION 1



INTERNAL ELEVATION 1

PROJECT.
 PROPOSED REHABILITATION OF
 WOMENS SPORTS STADIUM.
 - BAIDOA DISTRICT -

SCALE: 1:100
 DATE: NOVEMBER 2017
 DRAWN BY: ENG. JAMES NANDWA
 REVIEWED BY:
 APPROVED BY:

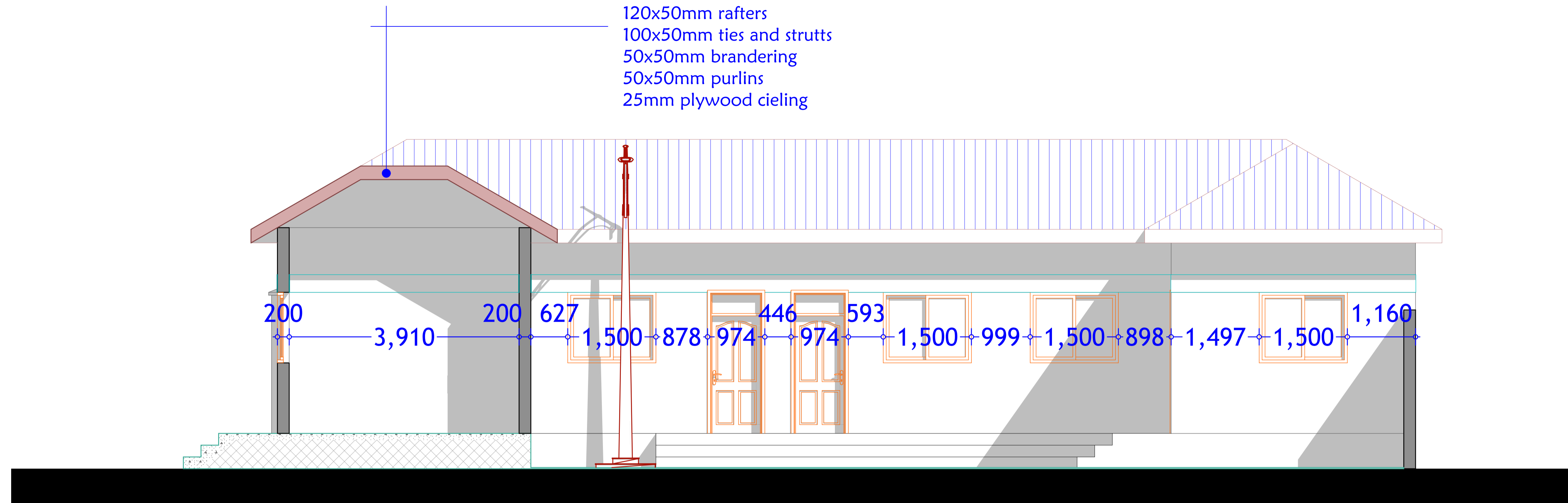
DRAWING TITLE:
 ELEVATIONS_1
 DRAWING N^o:
 PROJECT N^o:
 IOM GRANT N^o:
 BAI057

ELEVATIONS

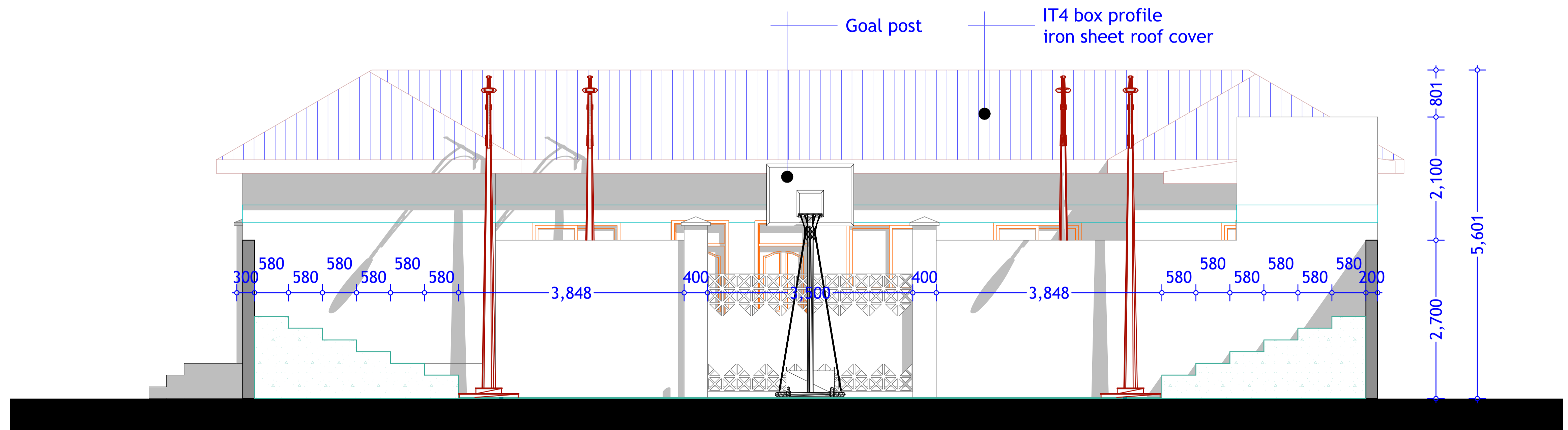
SHEET N^o:

10/17

G28 IT4 box profile sheeting on sawn timber framework
 120x50mm rafters
 100x50mm ties and struts
 50x50mm bracing
 50x50mm purlins
 25mm plywood ceiling



INTERNAL ELEVATION 3



INTERNAL ELEVATION 5

PROJECT.
 PROPOSED REHABILITATION OF
 WOMENS SPORTS STADIUM.
 - BAIDOA DISTRICT -

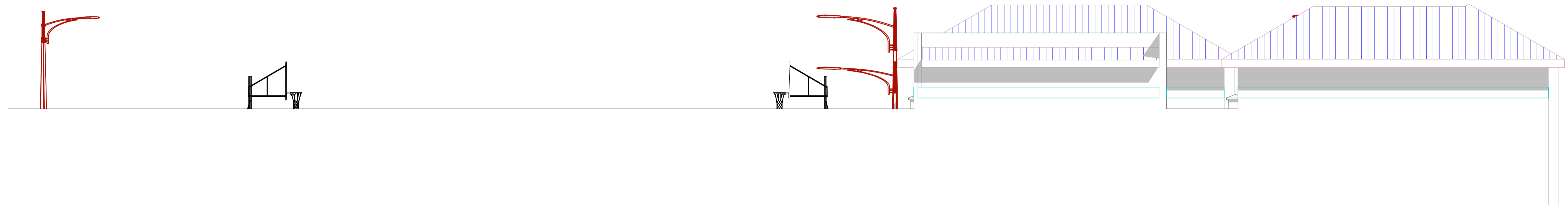
SCALE 1:100
 DATE NOVEMBER 2017
 DRAWN BY: ENG. JAMES NANDWA
 REVIEWED BY:
 APPROVED BY:

DRAWING TITLE:
 ELEVATIONS_2
 DRAWING N^o:
 PROJECT N^o:
 IOM GRANT N^o:
 BAI057

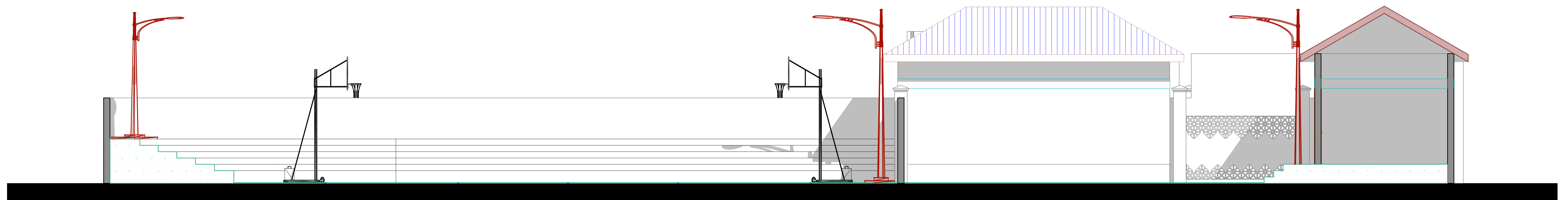
ELEVATIONS

SHEET N^o:

11/17



EXTERNAL ELEVATION 2



INTERNAL ELEVATION 2

PROJECT.
 PROPOSED REHABILITATION OF
 WOMENS SPORTS STADIUM.
 - BAIDOA DISTRICT -

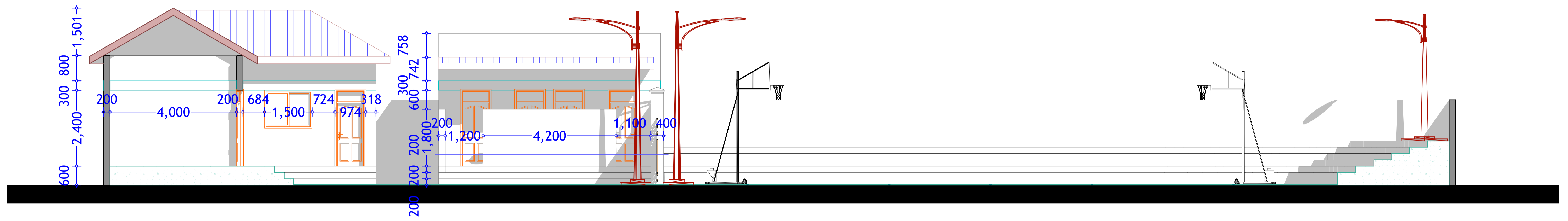
SCALE 1:100
 DATE NOVEMBER 2017
 DRAWN BY: ENG. JAMES NANDWA
 REVIEWED BY:
 APPROVED BY:

DRAWING TITLE:
 ELEVATIONS_3
 DRAWING N^o:
 PROJECT N^o:
 IOM GRANT N^o:
 BAI057

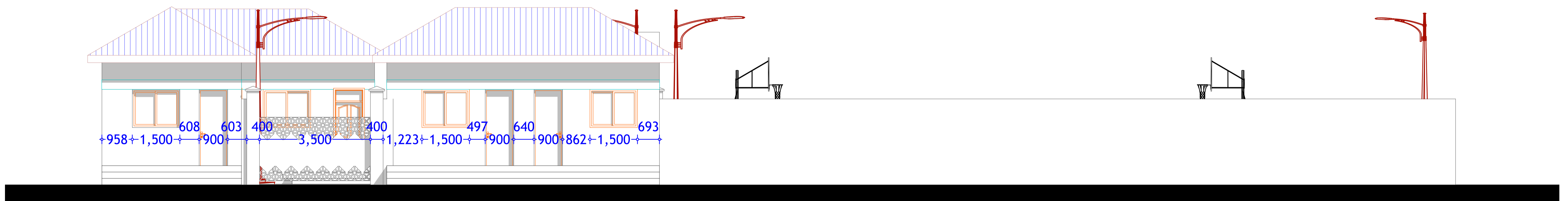
ELEVATIONS

SHEET N^o:

12/17



INTERNAL ELEVATION 4



EXTERNAL ELEVATION 4

PROJECT.
 PROPOSED REHABILITATION OF
 WOMENS SPORTS STADIUM.
 - BAIDOA DISTRICT -

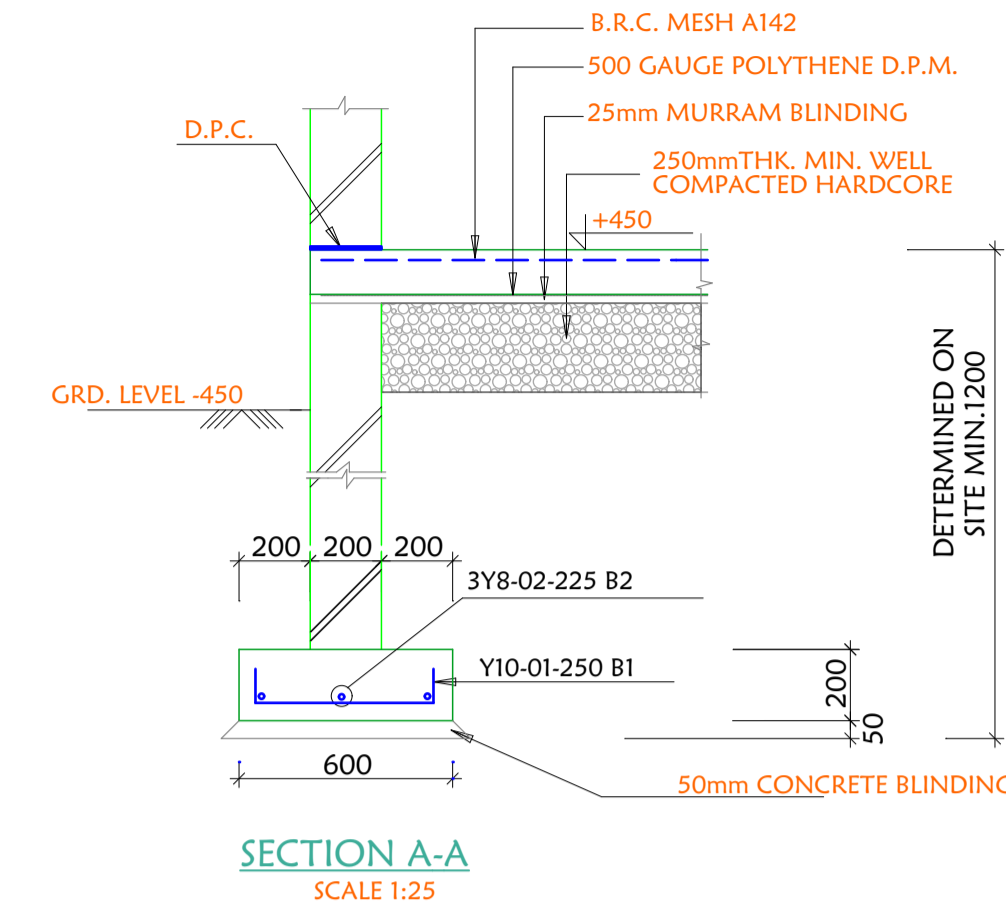
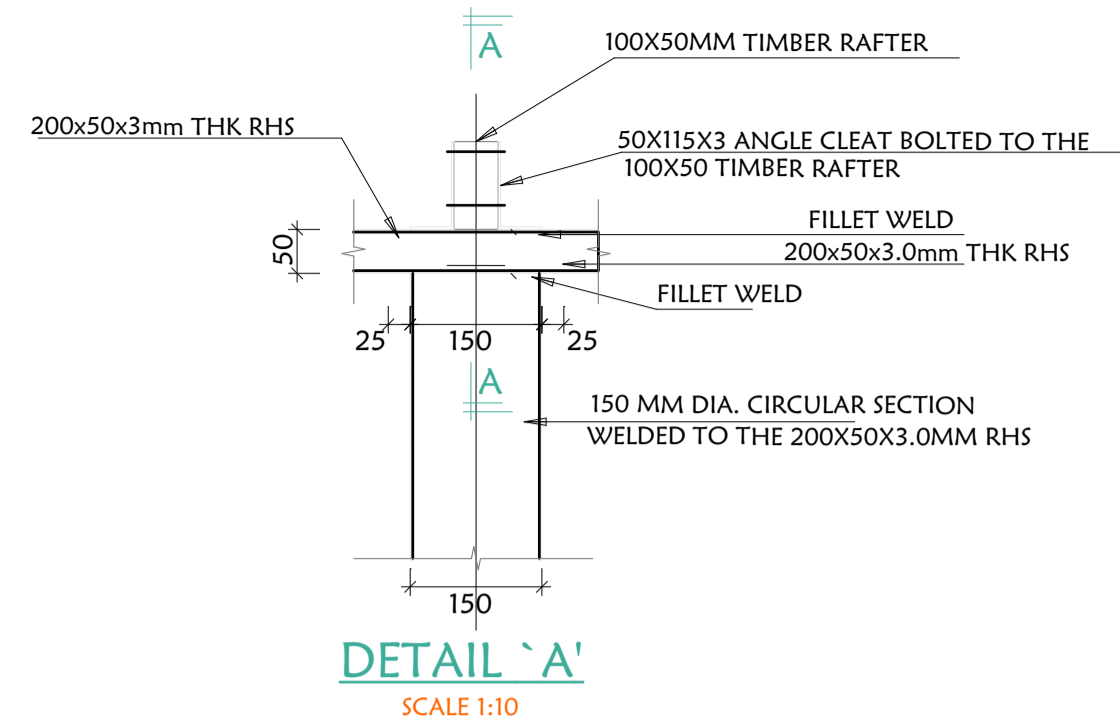
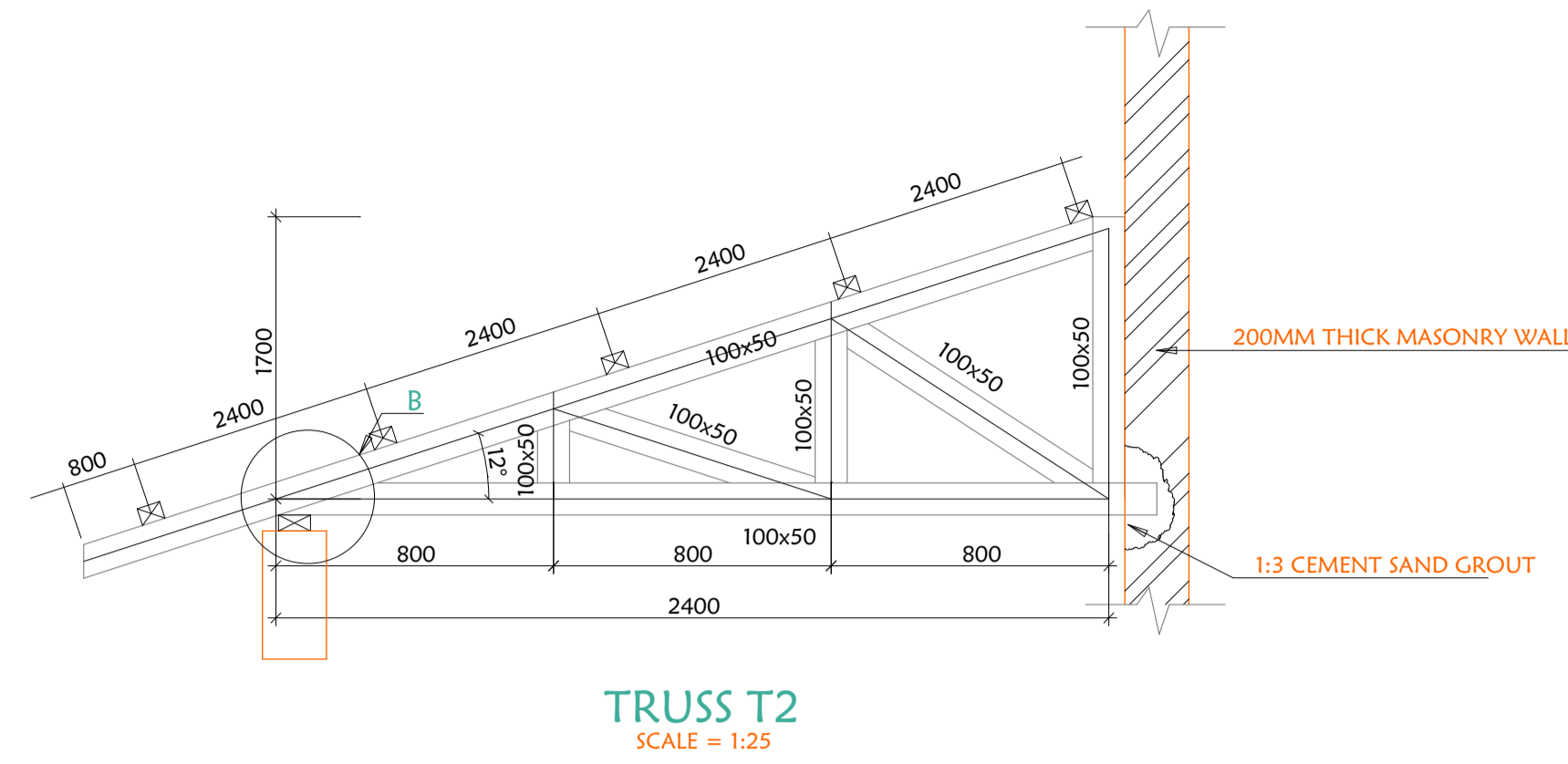
SCALE: 1:100
 DATE: NOVEMBER 2017
 DRAWN BY: ENG. JAMES NANDWA
 REVIEWED BY:
 APPROVED BY:

DRAWING TITLE:
 ELEVATIONS_4
 DRAWING N^o:
 PROJECT N^o:
 IOM GRANT N^o:
 BAI057

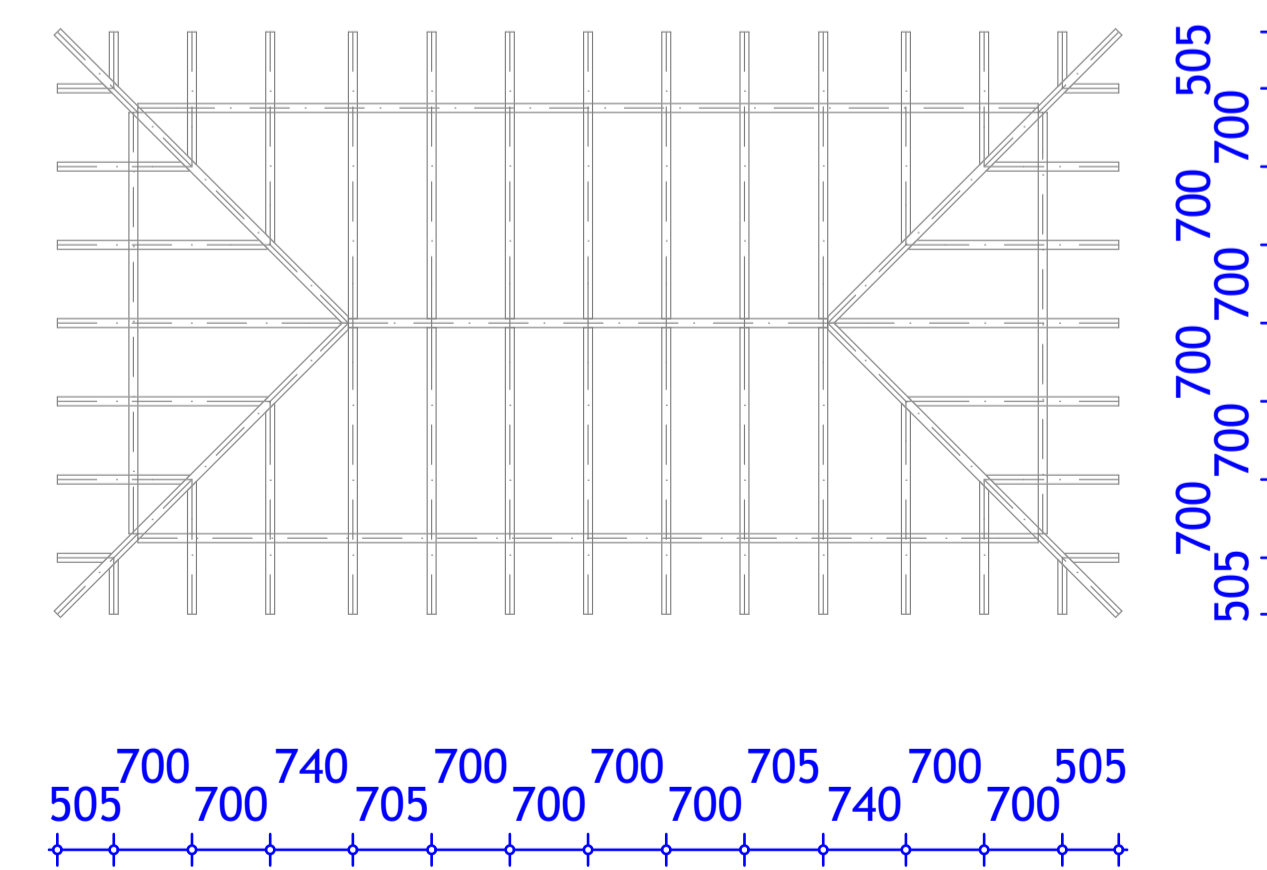
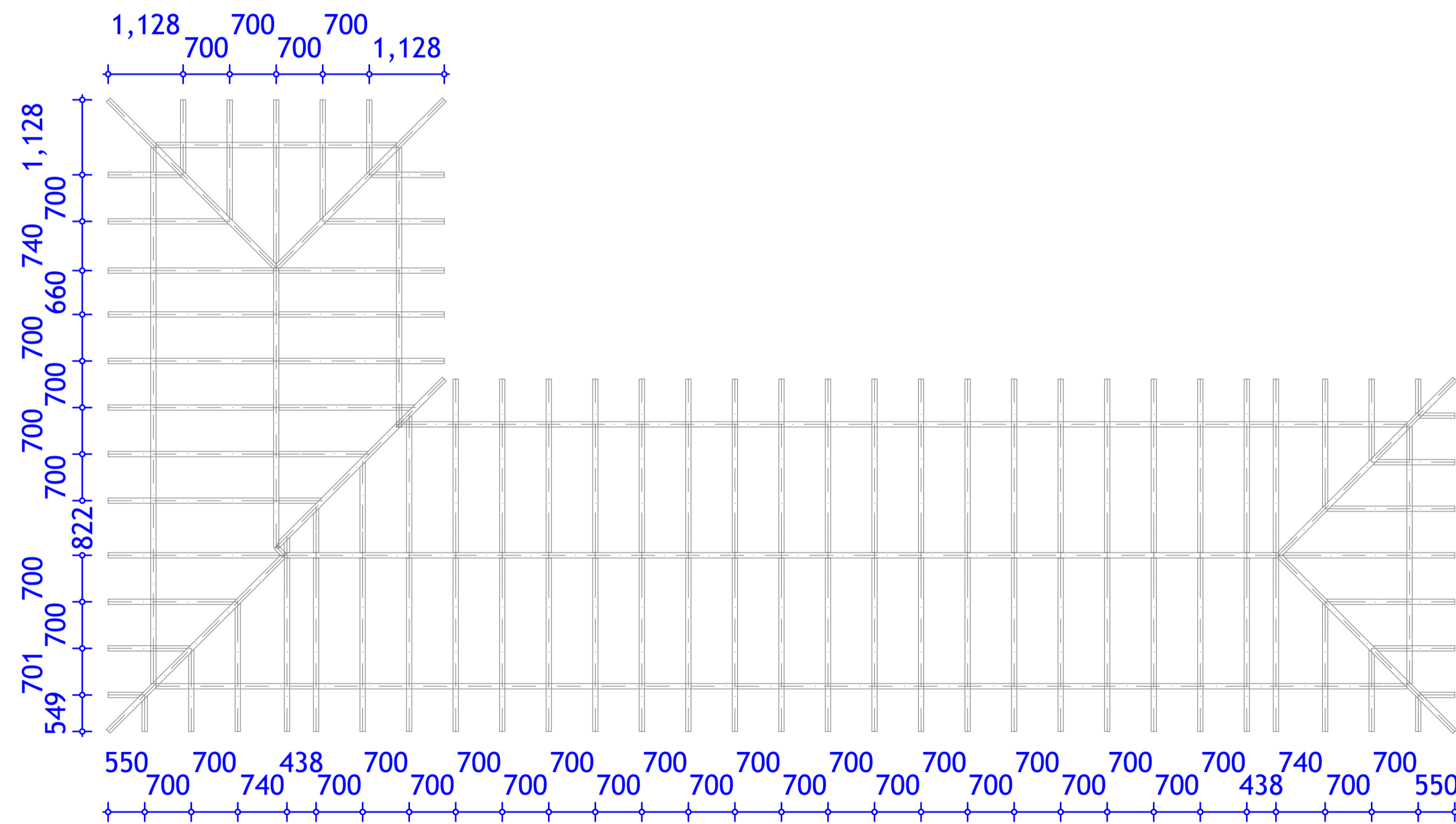
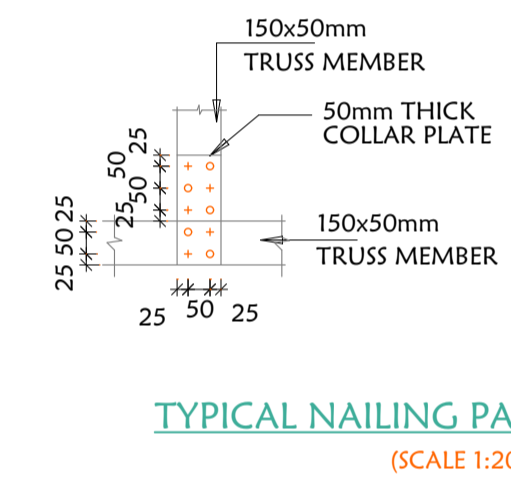
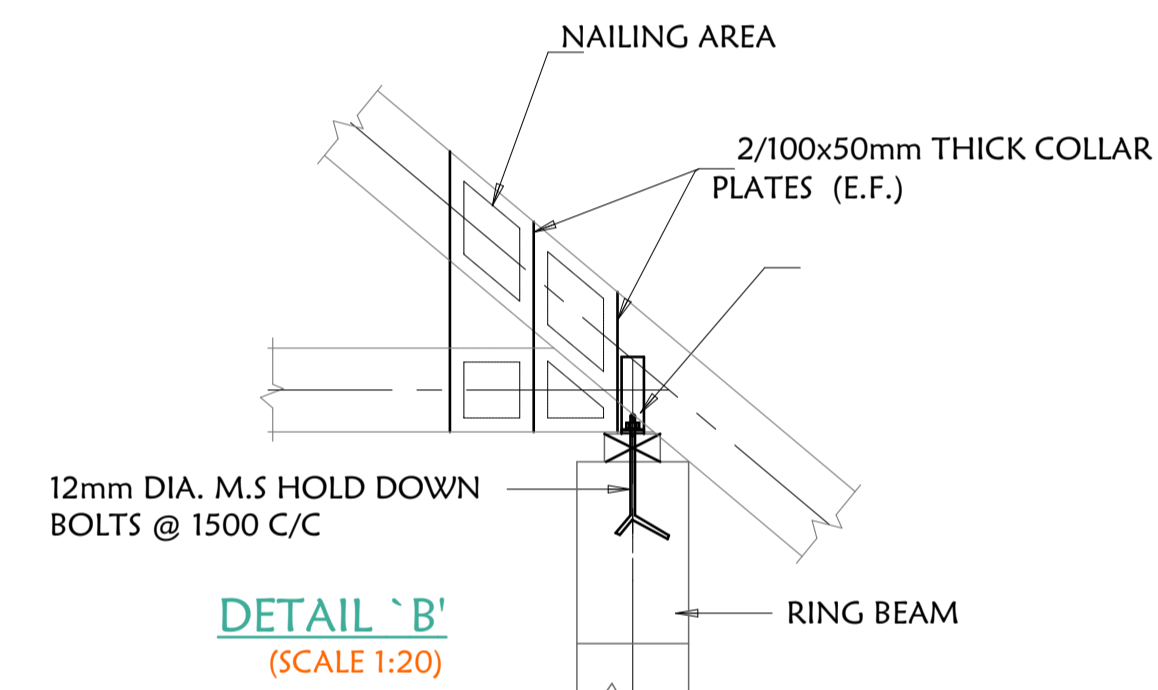
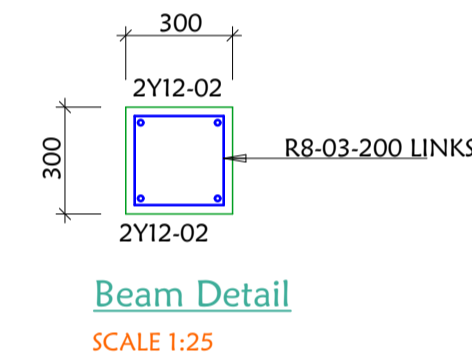
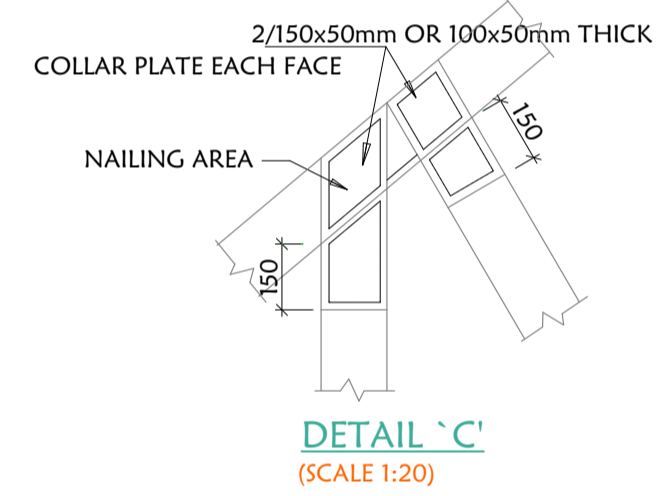
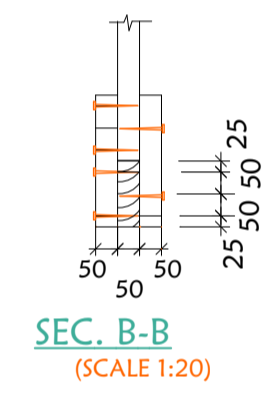
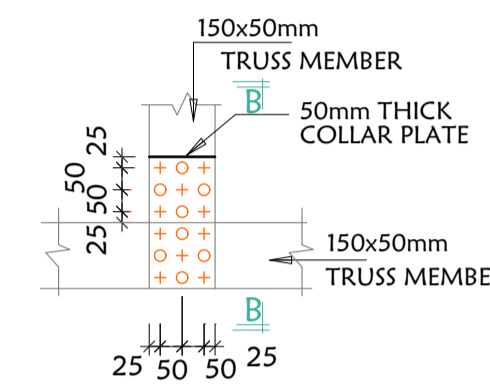
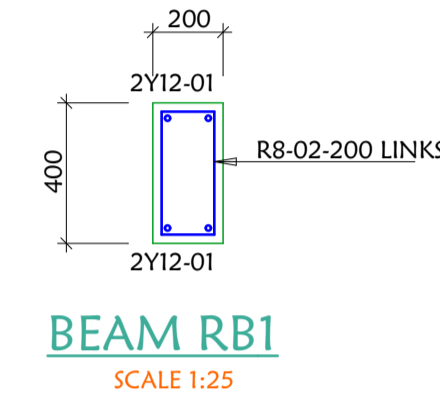
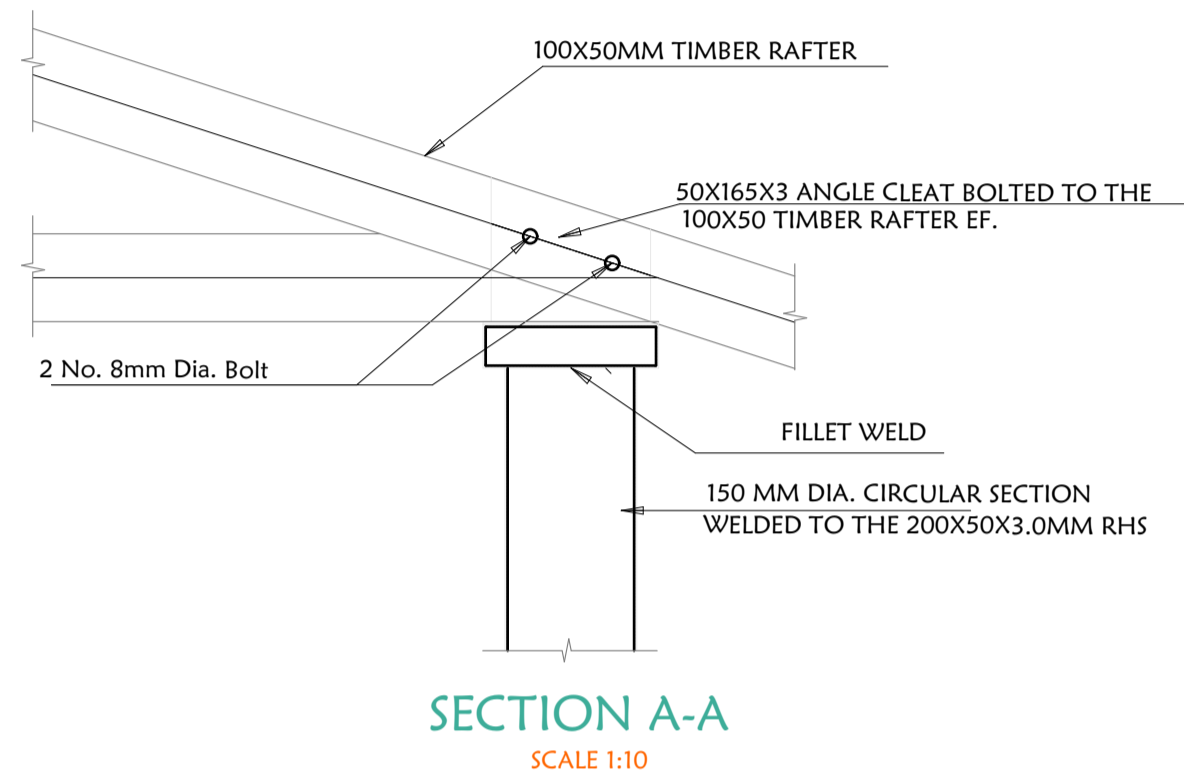
ELEVATIONS

SHEET N^o:

12/17



FOUNDATION FOOTING DETAIL



PROJECT.
PROPOSED REHABILITATION OF
WOMENS SPORTS STADIUM.
- BAIDOA DISTRICT -

SCALE: 1:100
DATE: NOVEMBER 2017

DRAWN BY: ENG. JAMES NANDWA
REVIEWED BY:
APPROVED BY:

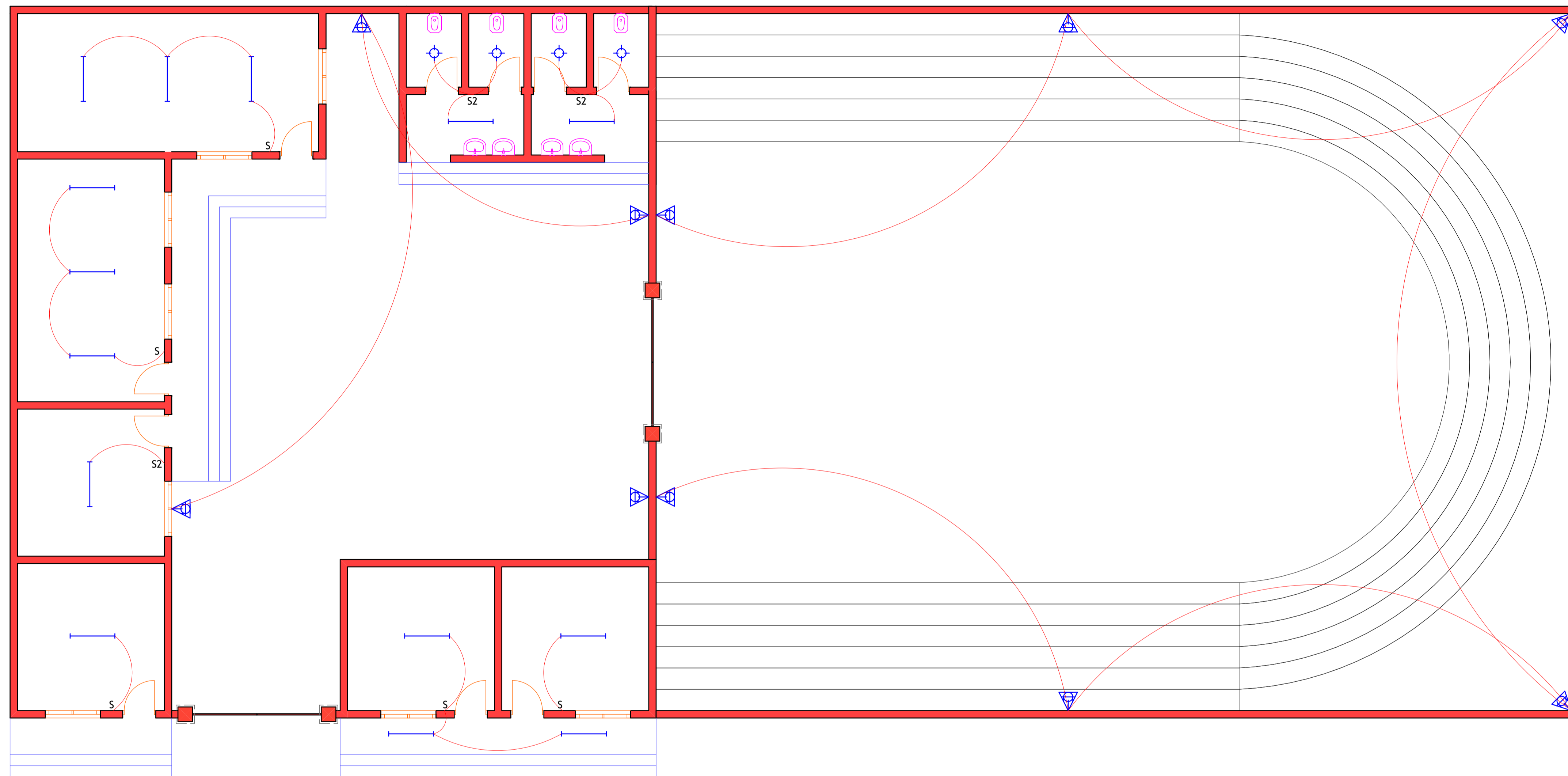
DRAWING TITLE:
STRUCTURAL DETAILS
DRAWING N^o:

PROJECT N^o:
IOM GRANT N^o:
BAI057

STRUCTURAL

SHEET N^o:

13/17



SYMBOL	MEANING
	CEILING MOUNTED LIGHT FIXTURE.
	CEILING MOUNTED LIGHT FIXTURE (PENDANT)
	WALL MOUNTED LIGHT FIXTURE
	RECESSED SPOT LIGHT
	FLUORESCENT LIGHT FIXTURE
	FLUORESCENT LIGHT FIXTURE UNDER FALSE CEILING
	WIRING CONNECTION
	FLUORESCENT LIGHT FIXTURE WITH SHAVER SOCKET & LOCALISED SWITCH
	FLUORESCENT LIGHT FIXTURE WITH LOCALISED SWITCH
	SINGLE PLEX RECEPTACLE
	DUPLEX RECEPTACLE
	SPECIAL RECEPTACLE & OUTLET (WITH PILOT LIGHT)
	WATER PROOF RECEPTACLE (SINGLE)
	CONSUMER UNIT
	TELEPHONE/TV JACK
	ALARM KEYPAD
	DOORBELL PUSH BUTTON
	DOORBELL TRANSFORMER
S3	3 gang switch
S2	2 gang switch
S	Single pole switch
	Flood lamp

PROJECT.
**PROPOSED REHABILITATION OF
 WOMENS SPORTS STADIUM.**
 - BAIDOA DISTRICT -

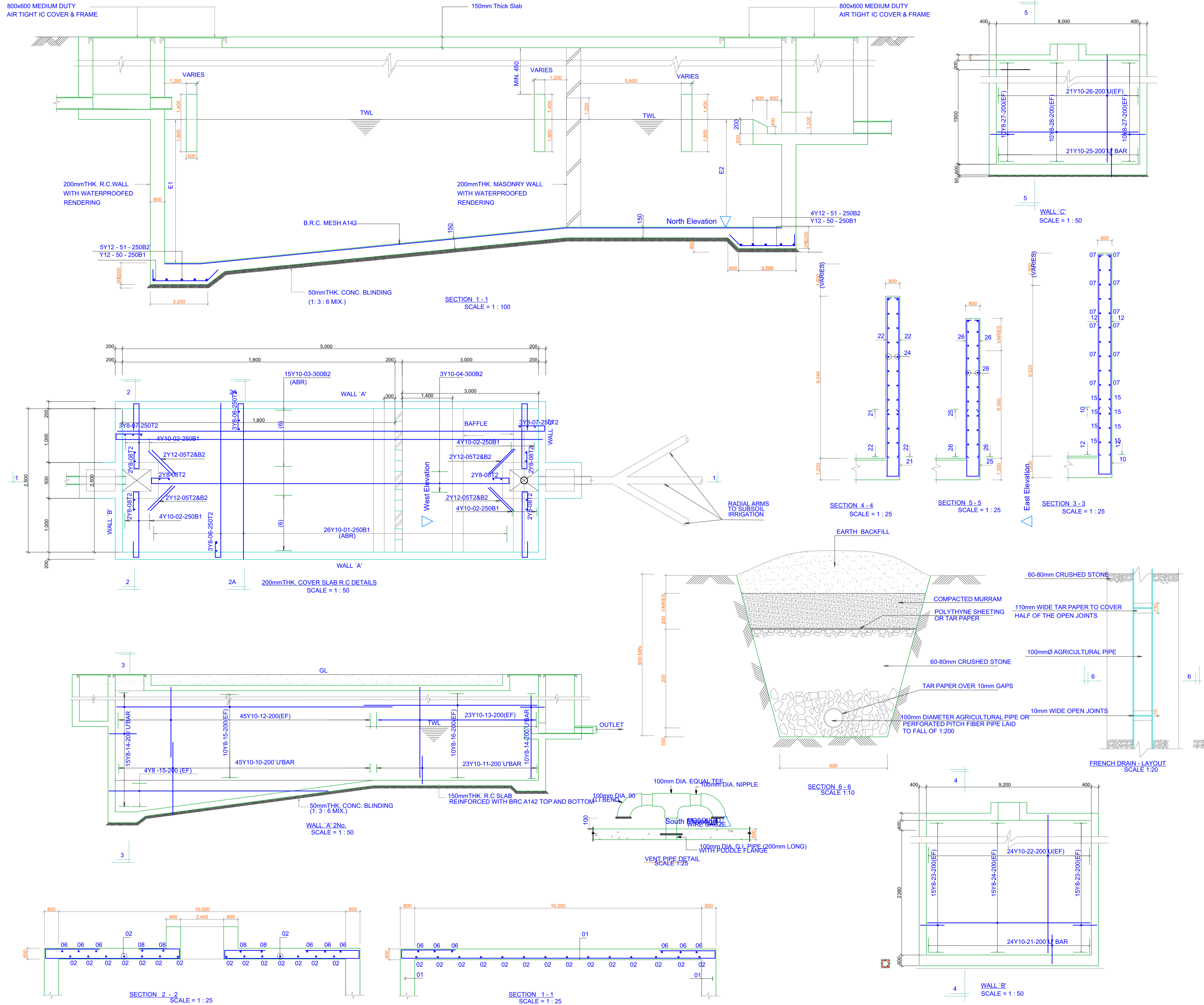
SCALE: 1:100
 DATE: NOVEMBER 2017
 DRAWN BY: ENG. JAMES NANDWA
 REVIEWED BY:
 APPROVED BY:

DRAWING TITLE:
ELECTRICAL LAYOUT
 DRAWING N^o:
 PROJECT N^o:
 IOM GRANT N^o:
 BAI057

ELECTRICAL

SHEET N^o:

14/17



PROJECT.
**PROPOSED REHABILITATION OF
 WOMENS SPORTS STADIUM.**
 - BAIDOA DISTRICT -

SCALE	1:100
DATE	NOVEMBER 2017
DRAWN BY:	ENG. JAMES NANDWA
REVIEWED BY:	
APPROVED BY:	

DRAWING TITLE:
 SEPTIC TANK AND SOAK AWAY
DRAWING N^o:
PROJECT N^o:
 IOM GRANT N^o:
 BAI057

STRUCTURAL
 SHEET N^o:
16/17

FLOOR AREA SCHEDULES

SPACE USE	FLOOR AREA (M ²)	REMARKS
Room 1	15.64M ²	REHABILITATION.
Room 2	15.64M ²	
Room 3	16M ²	
Room 4	16M ²	
Room 5	26.4M ²	
Room 6	30.8M ²	
Ladies	12.3M ²	
Gents	12.3M ²	
Playground	390M ²	
Open yard	84.2M ²	

TOTAL FLOOR AREA: 784.9m²