



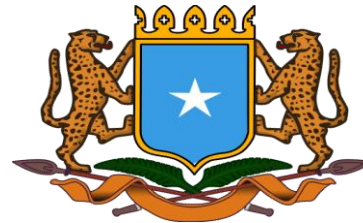
DOLLOW DISTRICT

**PROPOSED IMMAGRATION
OFFICES
DOLLOW JUBBALAND**

CLEINT



**IOM International Organization For Immigration
GOVERNMENT**



**SOMALI REPUBLIC
FEDERAL GOVERNMENT**



All dimensions are in M unless stated any discrepant in the drawing in the drawing should be report o the consultants before the contract commerce work on the site All drawing and concept remain property IOM

Project

**PROPOSED
IMMIGRATION
HQ DOLLOW**

CONSULT



International Organization
for Immigration

Scale: 1:100

Date: March 2018

Grant: Doll

Drawing by: Ali Mahdi

Review and :

PROPOSED IMMIGRATION OFFICE

DOLLOW JUBALAND

MARCH 2018 DRAWING INDEX



Sheet No		DRAWING CONTENT
01	01/10	Cover page
02	02/10	Drawing index
03	03/10	Site map
04	04/10	Proposed master plan
05	05/10	3D scenes
		OFFICES
06	06/10	Site sittingout
07	07/10	Ground floor plan
08	08/10	Foundation layout
09	09/10	Foundation details
10	10/10	Section A-A
11	11/11	Section B-B
12	12/12	Front elevation
13	13/13	Electrical layout
14	14/14	Septic tank.
15	15/15	Boundary wall.



All dimensions are in M unless stated any discrepant in the drawing in the drawing should be report o the consultants before the contract commerce work on the site All drawing and concept remain property IOM

Project
PROPOSED
IMMIGRATION
HQ DOLLOW

CONSULT



International Organization for
Immigration

Scale: 1:100

Date: March 2018

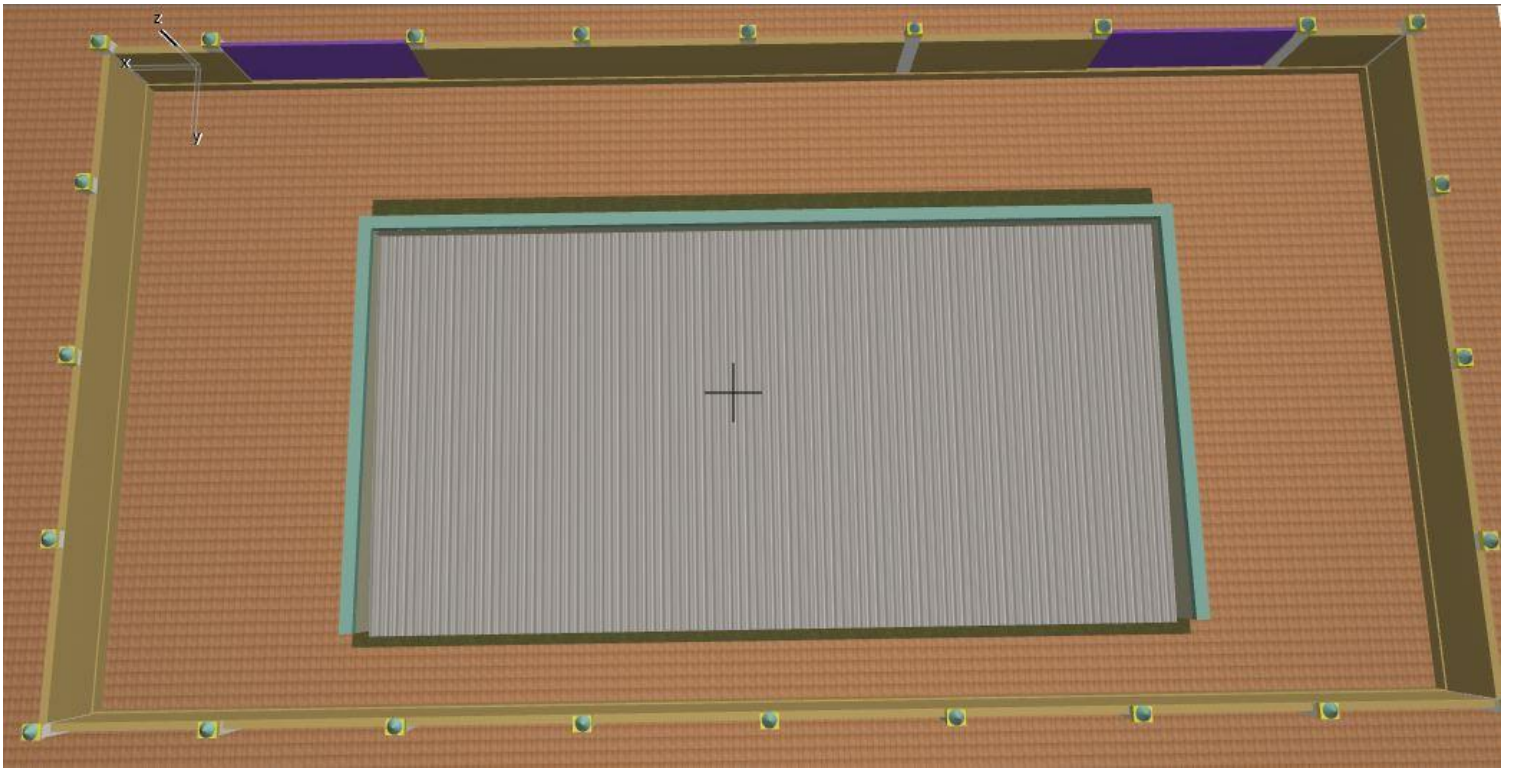
Grant: Doll

Drawing by: Ali Mahdi

Review and :
Approval



<p>All dimensions are in M unless stated any discrepant in the drawing in the drawing should be report o the consultants before the contract commerce work on the site All drawing and concept remain property IOM</p>	<p>Project PROPOSED IMMIGRATION HQ DOLLOW</p>	<p>CONSULT</p>  <p>International Organization for Immigration</p>	<p>Scale: 1:100</p> <p>Date: March 2018</p> <p>Grant: Doll</p> <p>Drawing by: Ali Mahdi</p> <p>Review and :</p>
--	---	--	---



All dimensions are in M unless stated any discrepant in the drawing in the drawing should be report o the consultants before the contract commerce work on the site All drawing and concept remain property IOM

Project
PROPOSED
IMMIGRATION
HQ DOLLOW

CONSULT



International Organization for
Immigration

Scale: 1:100

Date: March 2018

Grant: Doll

Drawing by: Ali Mahdi

Review and :
Approval

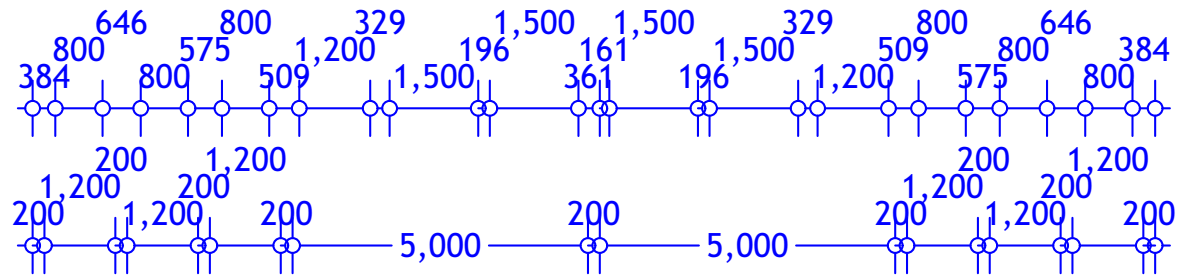
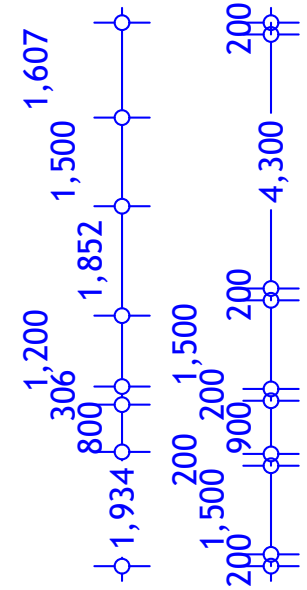
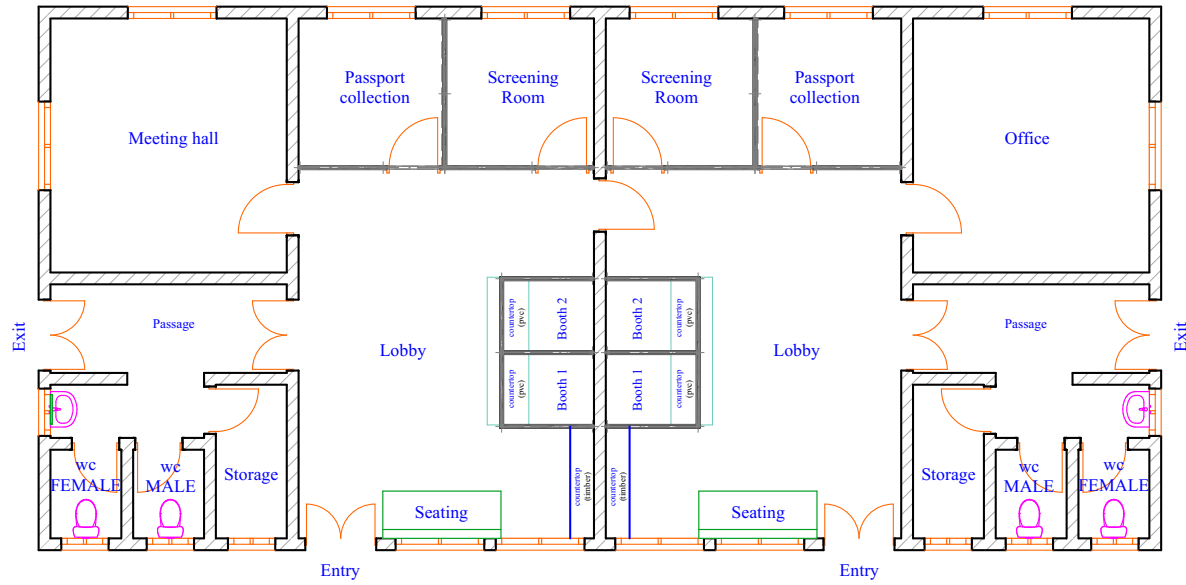
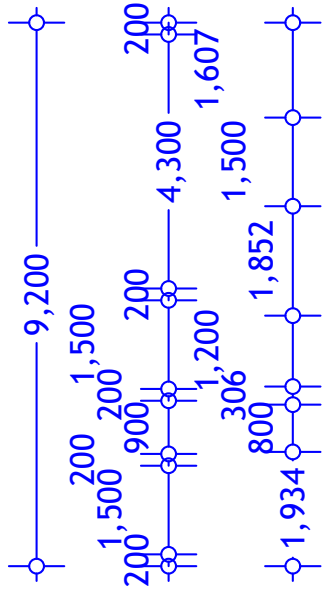
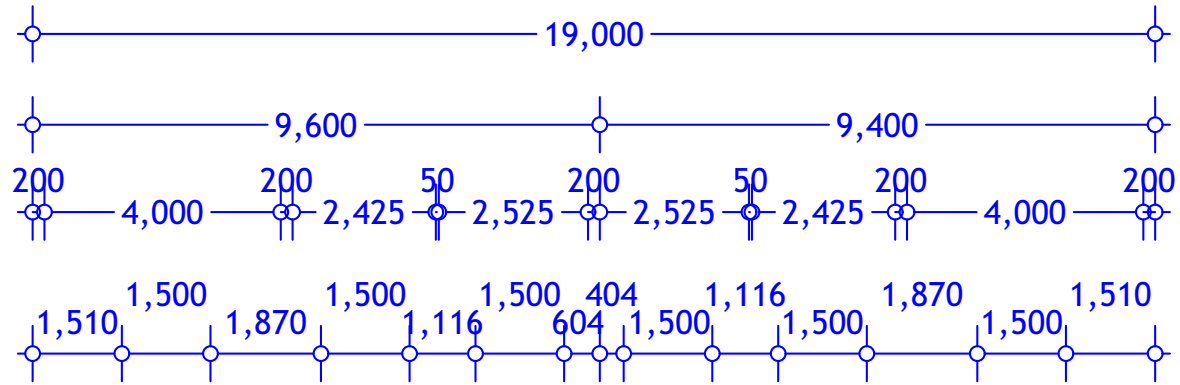


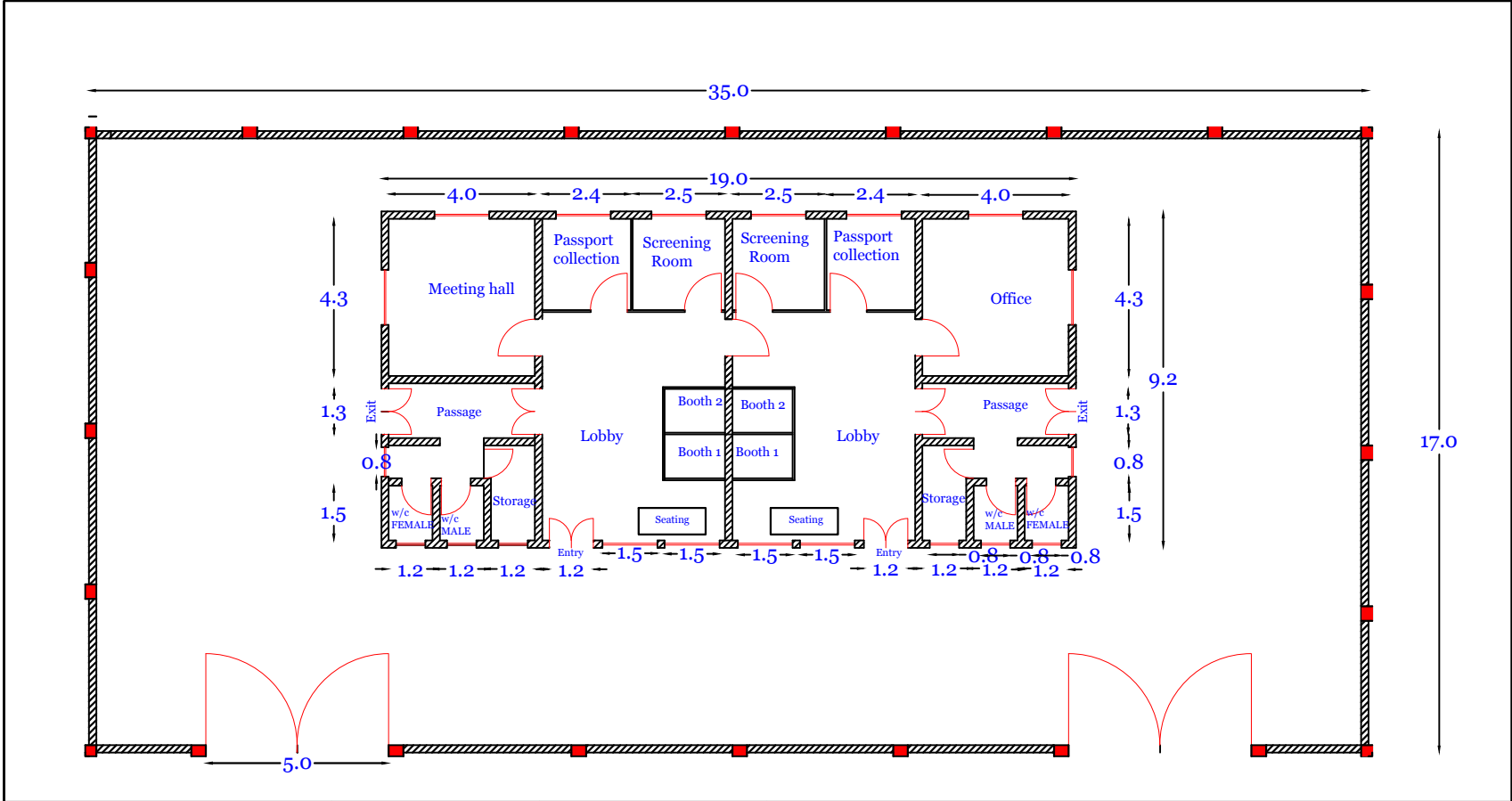
All dimensions are in M unless stated any discrepant in the drawing in the drawing should be report o the consultants before the contract commerce work on the site All drawing and concept remain property IOM

Project
PROPOSED
IMMIGRATION
HQ DOLLO



Scale: 1:100
Date: March 2018
Grant: Doll
Drawing by: Ali Mahdi
Review and : Approval



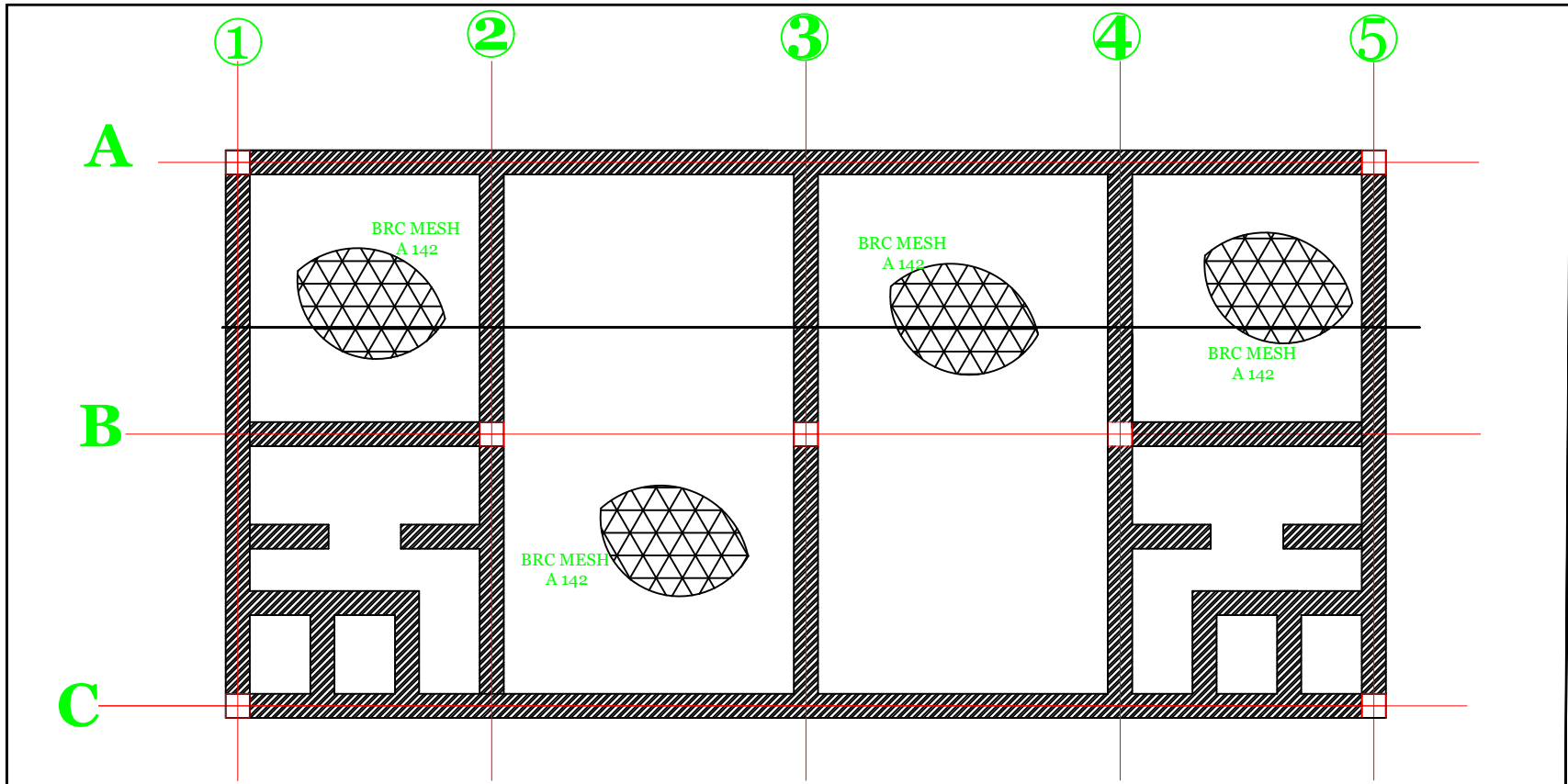


All dimensions are in m unless stated any discrepant in the drawing in the drawing should be report o the consultants before the contract commerce work on the site All drawing and concept remain property IOM

Project
PROPOSED
IMMIGRATION
HQ DOLLOW

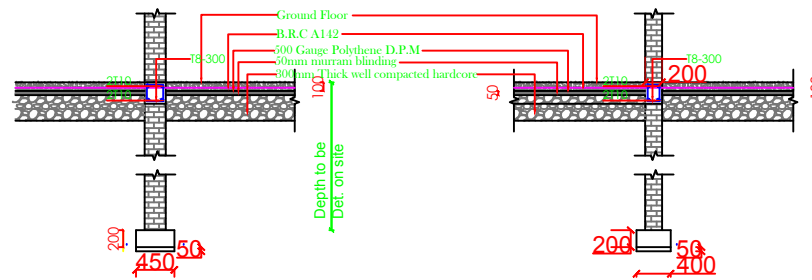
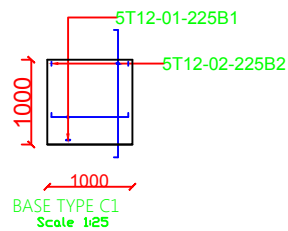
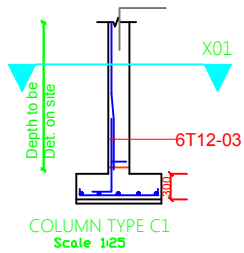
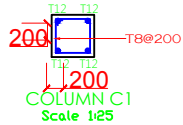
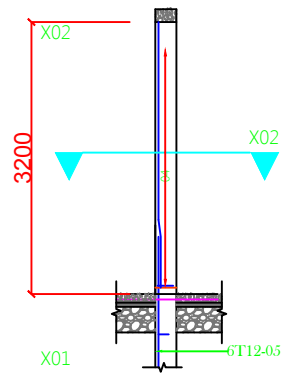


Scale: 1:100
 Date: March 2018
 Grant no: Doll
 Drawing :Ali Mahdi
 Review and:
 Approval



FOUNDATION LAYOUT

<p>All dimensions are in m unless stated any discrepant in the drawing in the drawing should be report o the consultants before the contract commerce work on the site All drawing and concept remain property IOM</p>	<p>Project PROPOSED IMMIGRATION HQ DOLLOW</p>	<p>CONSULT  International Organization for Immigration</p>	<table style="width: 100%; border-collapse: collapse;"> <tr> <td style="border-bottom: 1px solid black; padding: 2px;">Scale: 1:100</td> </tr> <tr> <td style="border-bottom: 1px solid black; padding: 2px;">Date: March 2018</td> </tr> <tr> <td style="border-bottom: 1px solid black; padding: 2px;">Grant no: Doll</td> </tr> <tr> <td style="border-bottom: 1px solid black; padding: 2px;">Drawing :Ali Mahdi</td> </tr> <tr> <td style="padding: 2px;">Review and: Approval</td> </tr> </table>	Scale: 1:100	Date: March 2018	Grant no: Doll	Drawing :Ali Mahdi	Review and: Approval
Scale: 1:100								
Date: March 2018								
Grant no: Doll								
Drawing :Ali Mahdi								
Review and: Approval								



FOUNDATION LAYOUT

All dimensions are in M unless stated any discrepant in the drawing in the drawing should be report o the consultants before the contract commerce work on the site All drawing and concept remain property IOM

Project
PROPOSED
IMMIGRATION
HQ DOLLOW

CONSULT



International
Organization
for
Immigration

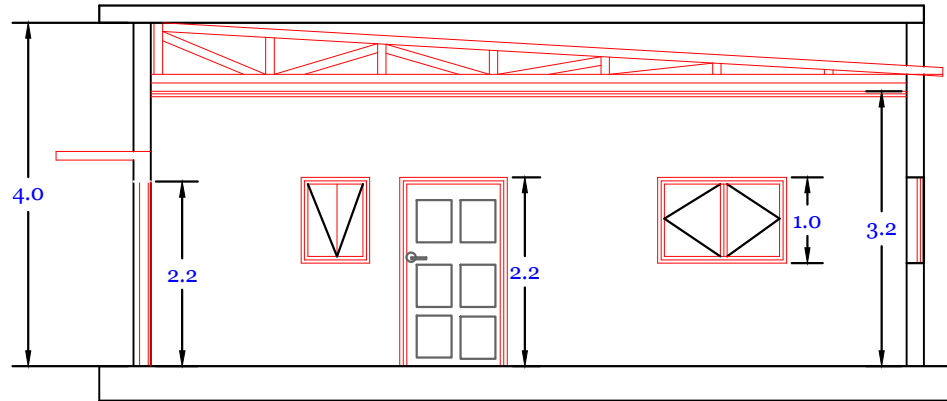
Scale: 1:100

Date: March 2018

Grant no: Doll

Drawing by:Ali Mahdi

Review and :
Approval



SIDE ELEVATION

All dimensions are in m unless stated any discrepant in the drawing in the drawing should be report o the consultants before the contract commerce work on the site All drawing and concept remain property IOM

Project
PROPOSED
IMMIGRATION
HQ DOLLOW

CONSULT



International Organization
 for Immigration

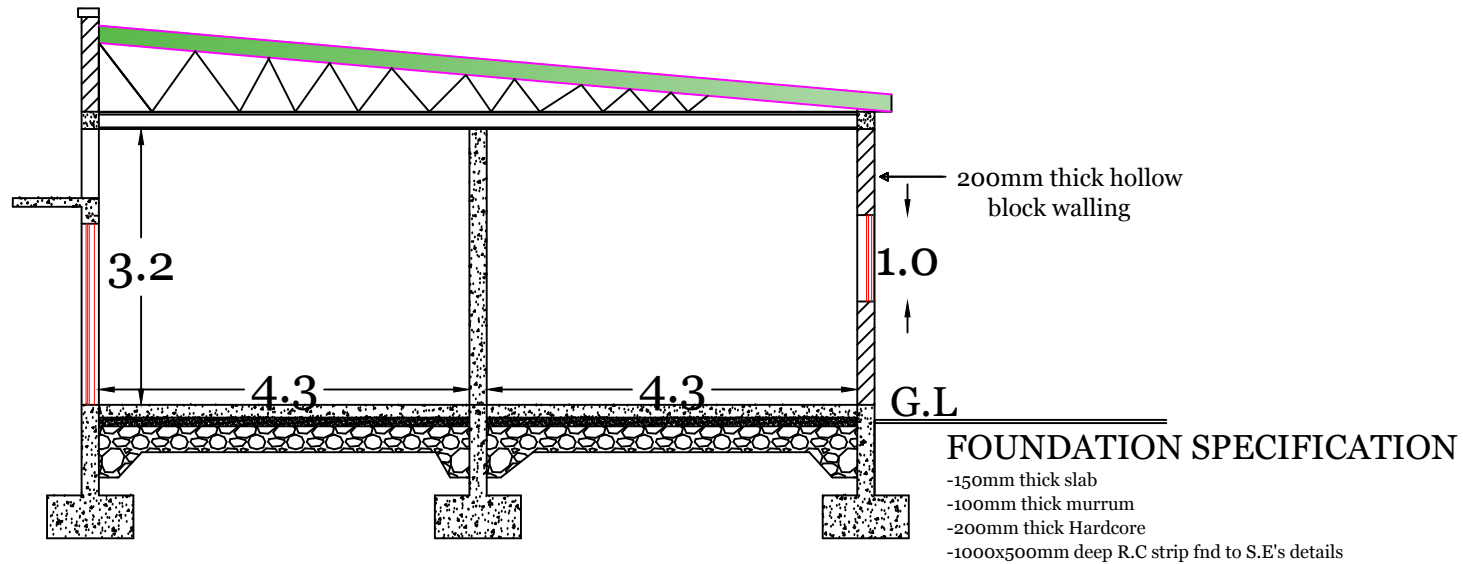
Scale: 1:100

Date: March 2018

Grant no: Doll

Drawing :Ali Mahdi

Review and:
 Approval



SECTION B-B

All dimensions are in m unless stated any discrepant in the drawing in the drawing should be report o the consultants before the contract commerce work on the site All drawing and concept remain property IOM

Project
PROPOSED
IMMIGRATION
HQ DOLLOW

CONSULT



International Organization
for Immigration

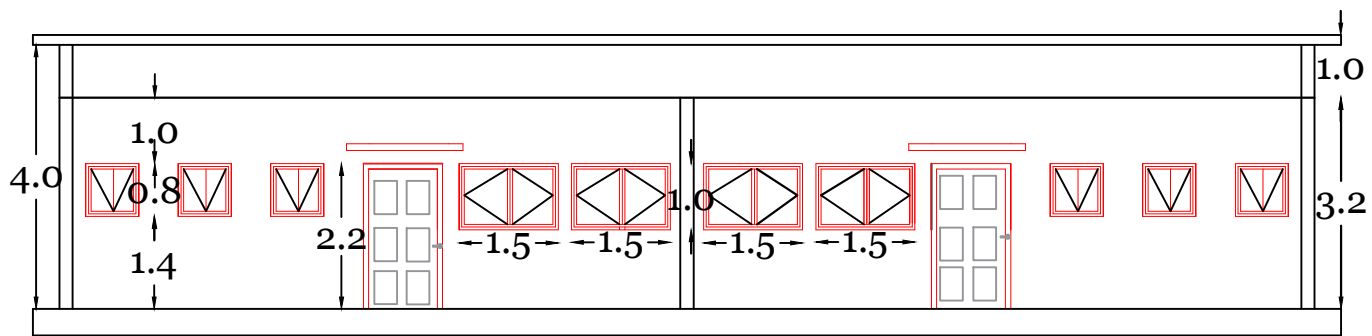
Scale: 1:100

Date: March 2018

Grant no: Doll

Drawing :Ali Mahdi

Review and:
Approval



FRONT ELEVATION

All dimensions are in m unless stated any discrepant in the drawing in the drawing should be report o the consultants before the contract commerce work on the site All drawing and concept remain property IOM

Project
PROPOSED
IMMIGRATION
HQ DOLLOW



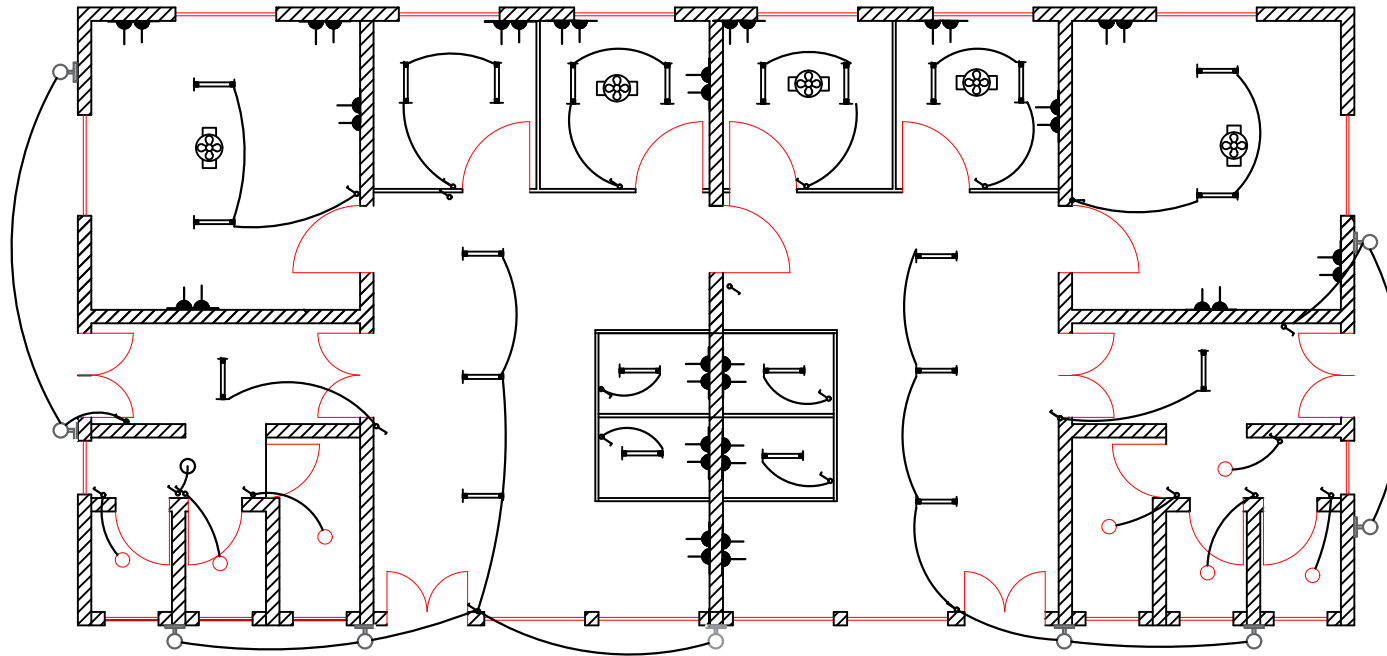
Scale: 1:100

Date: March 2018

Grant no: Doll

Drawing :Ali Mahdi

Review and:
 Approval



ELECTRICAL LAYOUT

All dimensions are in m unless stated any discrepant in the drawing in the drawing should be report o the consultants before the contract commerce work on the site All drawing and concept remain property IOM

Project
PROPOSED
IMMIGRATION
HQ DOLLOW

CONSULT



International Organization
for Immigration

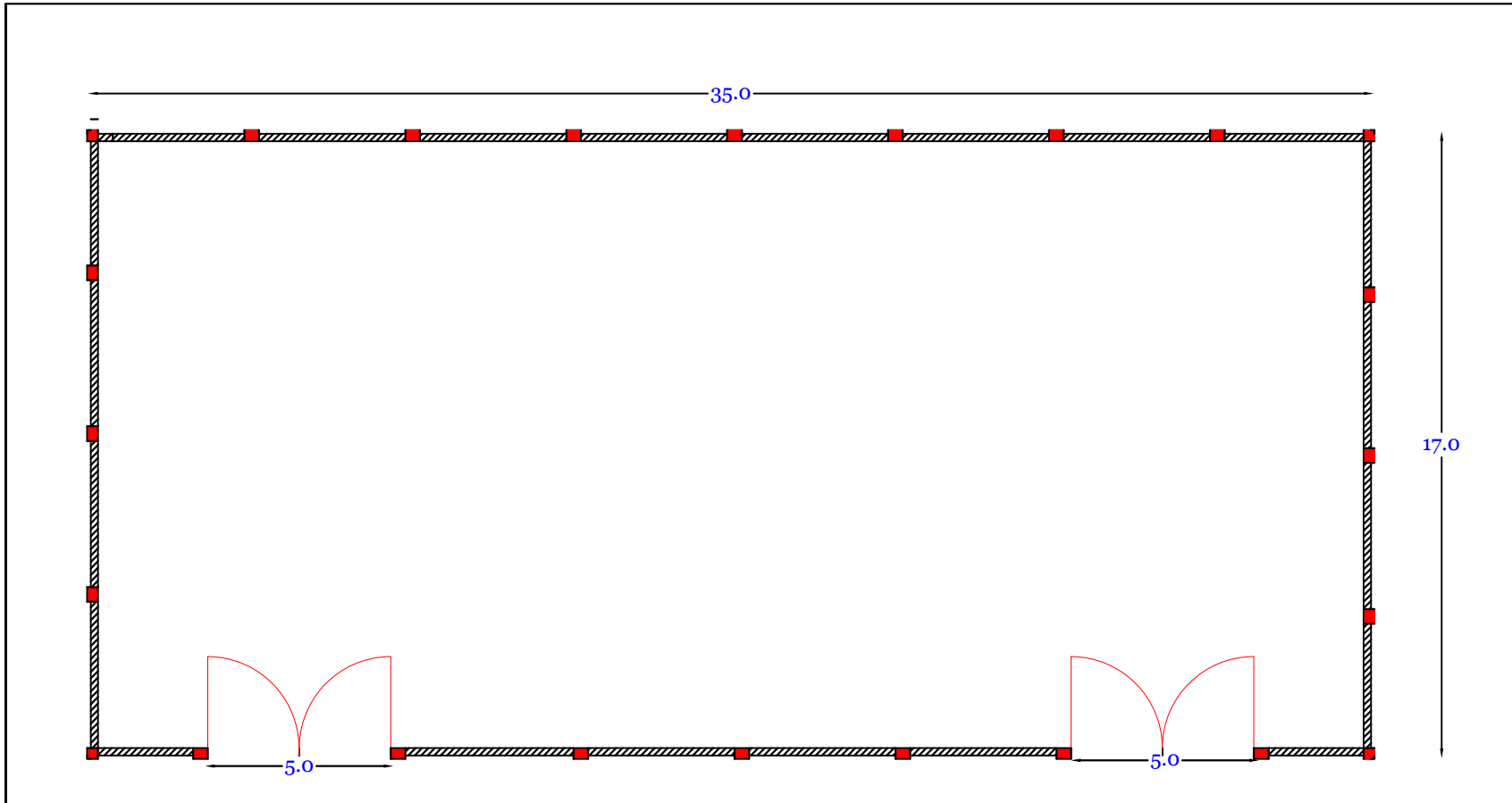
Scale: 1:100

Date: March 2018

Grant no: Doll

Drawing :Ali Mahdi

Review and:
Approval



All dimensions are in m unless stated any discrepant in the drawing in the drawing should be report o the consultants before the contract commerce work on the site All drawing and concept remain property IOM

Project
PROPOSED
IMMIGRATION
HQ DOLLOW



Scale: 1:100

Date: March 2018

Grant no: Doll

Drawing :Ali Mahdi

Review and:
 Approval