



# DHOBLEY DISTRICT

---

PROJECT:

## PROPOSED IMMIGRATION OFFICES -DHOBLEY SOMALIA-.

---

CLIENT:



IOM International Organization for Migration

---

GOVERNMENT.

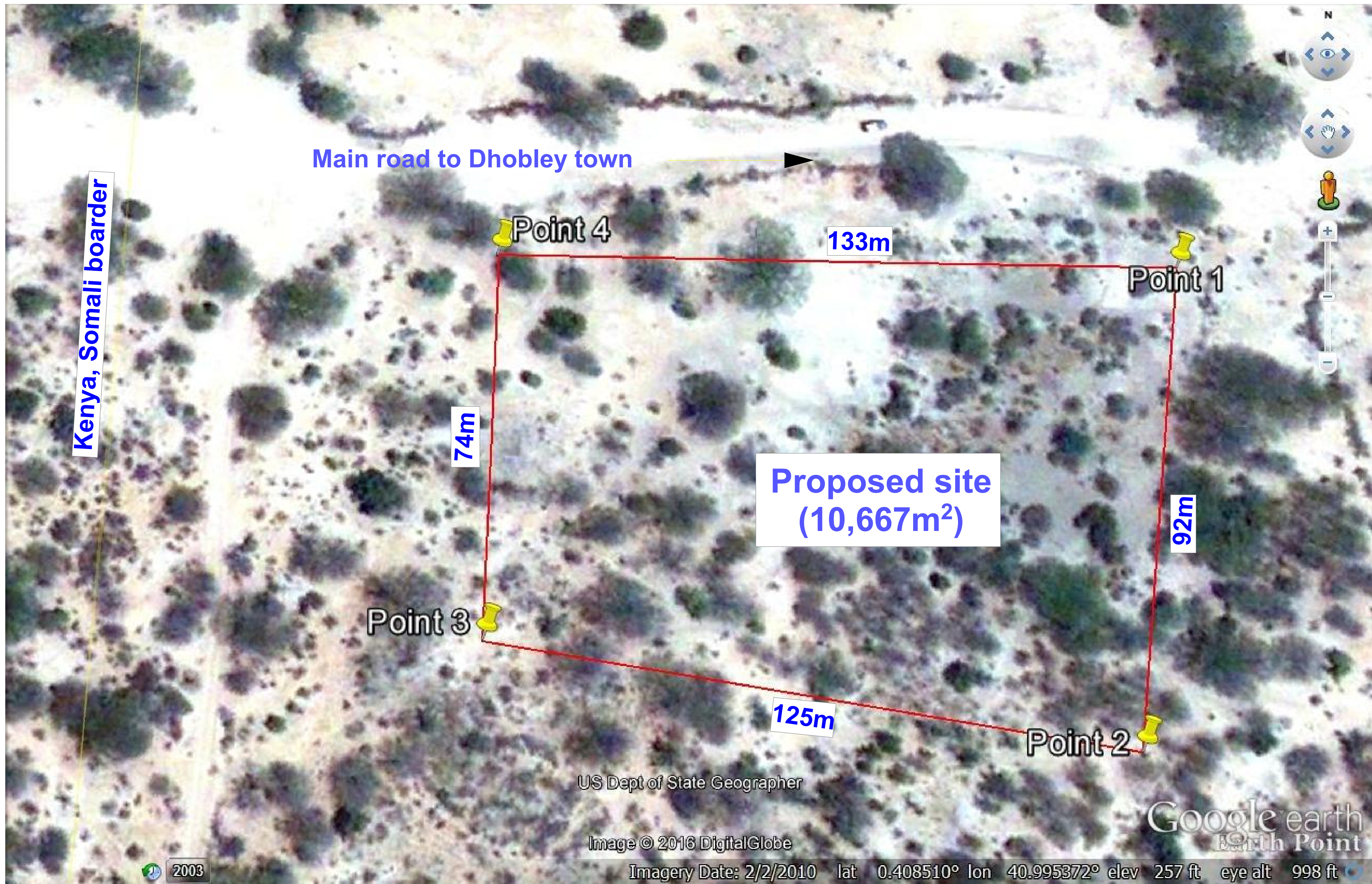


**SOMALI REPUBLIC**  
**Federal Government**









Main road to Dhobley town

Kenya, Somali boarder

Point 4

133m

Point 1

74m

Proposed site  
(10,667m<sup>2</sup>)

92m

Point 3

125m

Point 2

US Dept of State Geographer

Image © 2016 DigitalGlobe

Google earth  
Earth Point

2003

Imagery Date: 2/2/2010 lat 0.408510° lon 40.995372° elev 257 ft eye alt 998 ft

**NOTES**  
All dimensions are in mm unless stated  
Any discrepancies in the drawings should be reported to the consultants before the contractor commences work on site.  
All drawings and concepts remain the property of IOM

**PROJECT:**  
**PROPOSED IMMIGRATION HQ -DHOBLEY-**

Coordinates	
Longitude	0°24'30.49"N
Latitude	40°59'44.18"E

**CONSULTANT**



IOM International Organization for Migration

Scale	N.T.S
Date	FEBRUARY 2017
Grant No.	
Drawn By:	James Nandwa
Reviewed and Approved by:	

Drawing title	Site location
Drawing No.	
Project No.	IOM/IBM/01/ 2017

**LOCATION**

**SHEET 04/22**





Access gate

Access gate

Communication mast

Boundary wall

Toilets

Proposed immigration offices

Access gate

Access gate

**NOTES**  
 All dimensions are in mm unless stated  
 Any discrepancies in the drawings should be reported to the consultants before the contractor commences work on site.  
 All drawings and concepts remain the property of IOM

**PROJECT:**  
**PROPOSED IMMIGRATION HQ -DHOBLEY-**

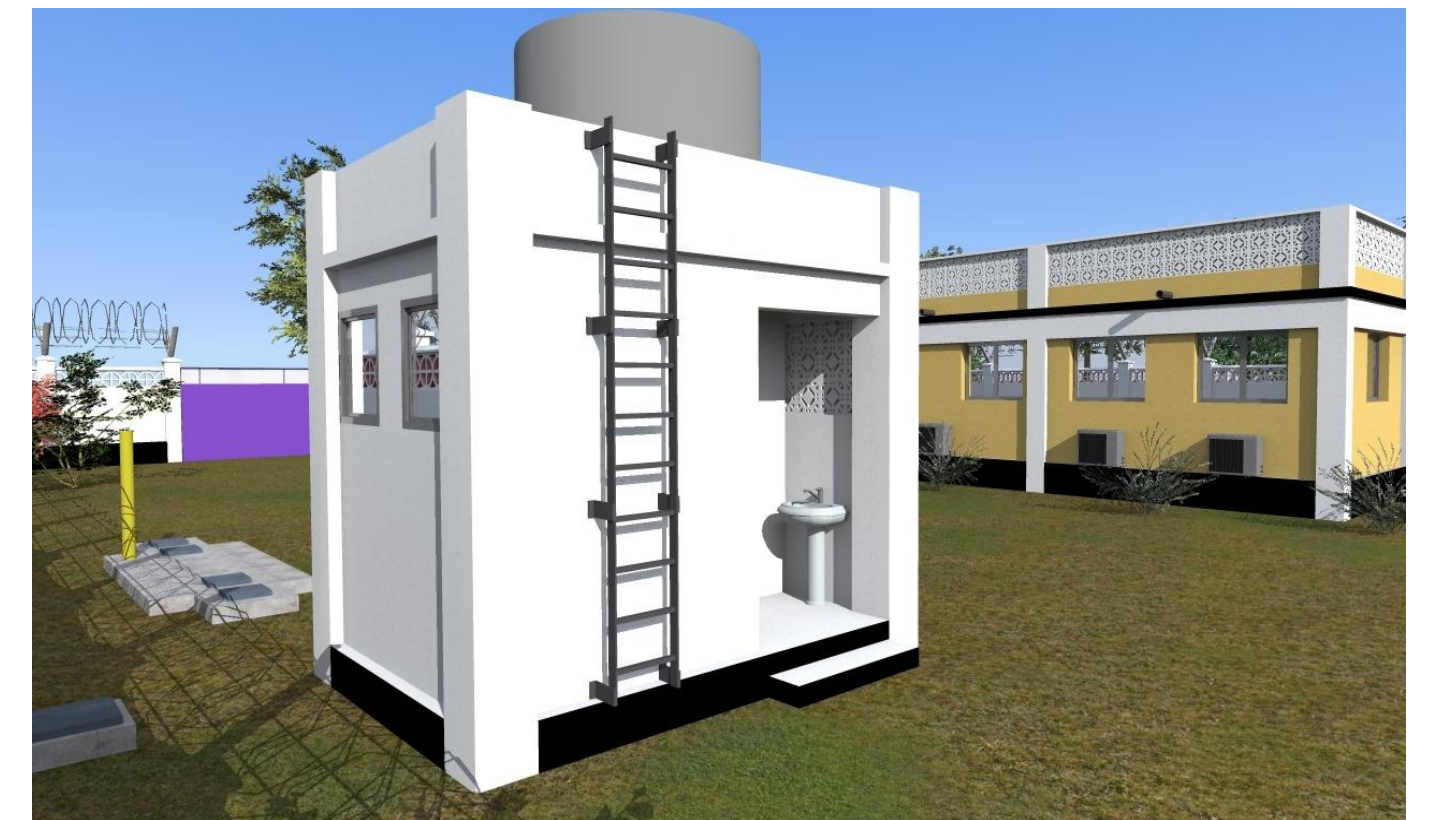
**CONSULTANT**  
  
 IOM International Organization for Migration

Scale	N.T.S
Date	FEBRUARY 2017
Grant No.	
Drawn By:	James Nandwa
Reviewed and Approved by:	

Drawing title	Proposed masterplan
Drawing No.	
Project No.	IOM/IBM/01/ 2017

**MASTERPLAN**  
**SHEET 04/22**





**NOTES**  
 All dimensions are in mm unless stated  
 Any discrepancies in the drawings should be reported to the consultants before the contractor commences work on site.  
 All drawings and concepts remain the property of IOM

**PROJECT:**  
**PROPOSED IMMIGRATION HQ -DHOBLEY-**



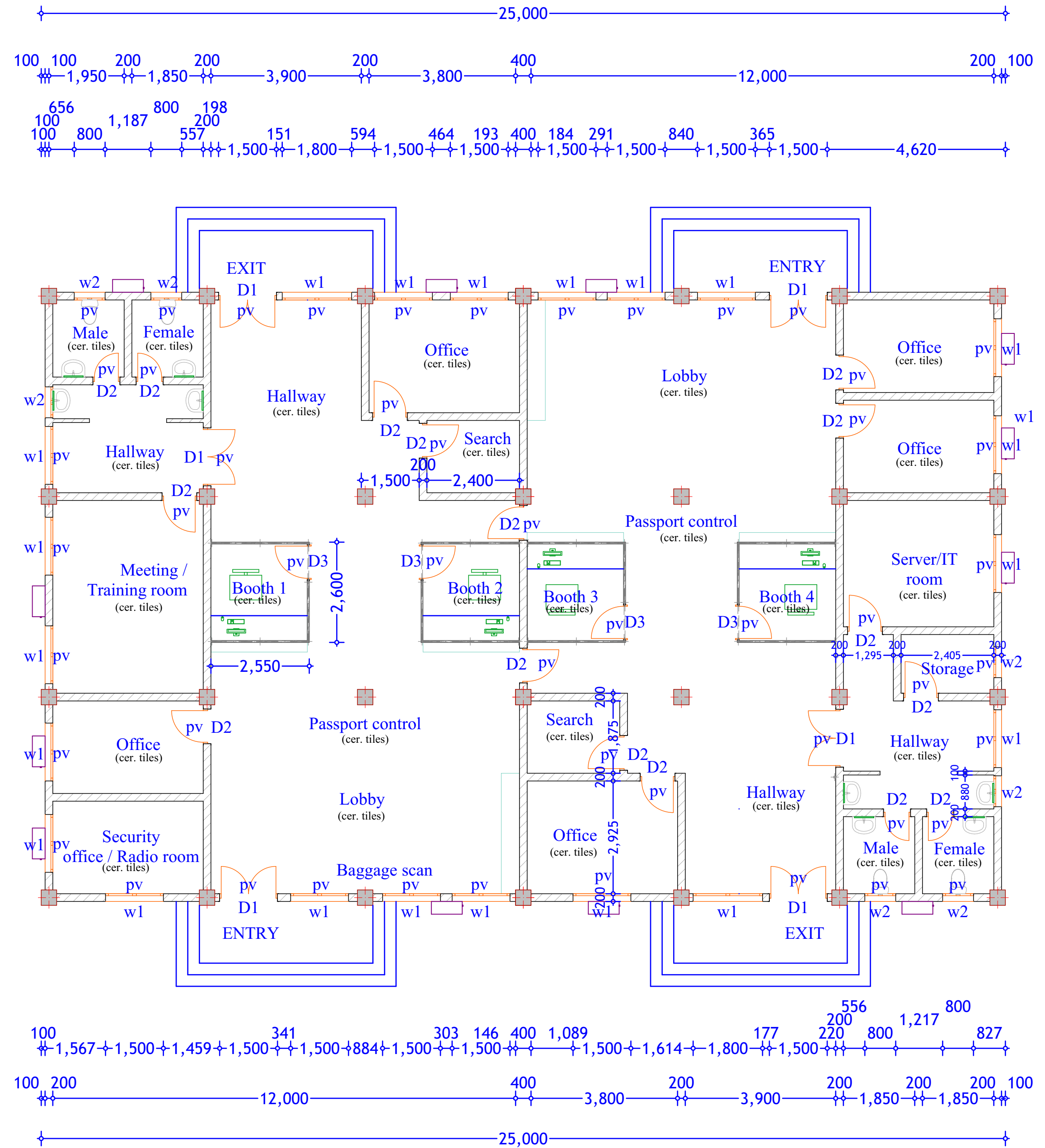
**CONSULTANT**  
 IOM International Organization for Migration

Scale N.T.S  
 Date FEBRUARY 2017  
 Grant No.  
 Drawn By: James Nandwa  
 Reviewed and Approved by:

Drawing title **3D Scenes**  
 Drawing No.  
 Project No. IOM/IBM/01/ 2017

**3D RENDER**  
 SHEET NO. 05/22





**NOTES**  
 All dimensions are in mm unless stated  
 Any discrepancies in the drawings should be reported to the consultants before the contractor commences work on site.  
 All drawings and concepts remain the property of IOM

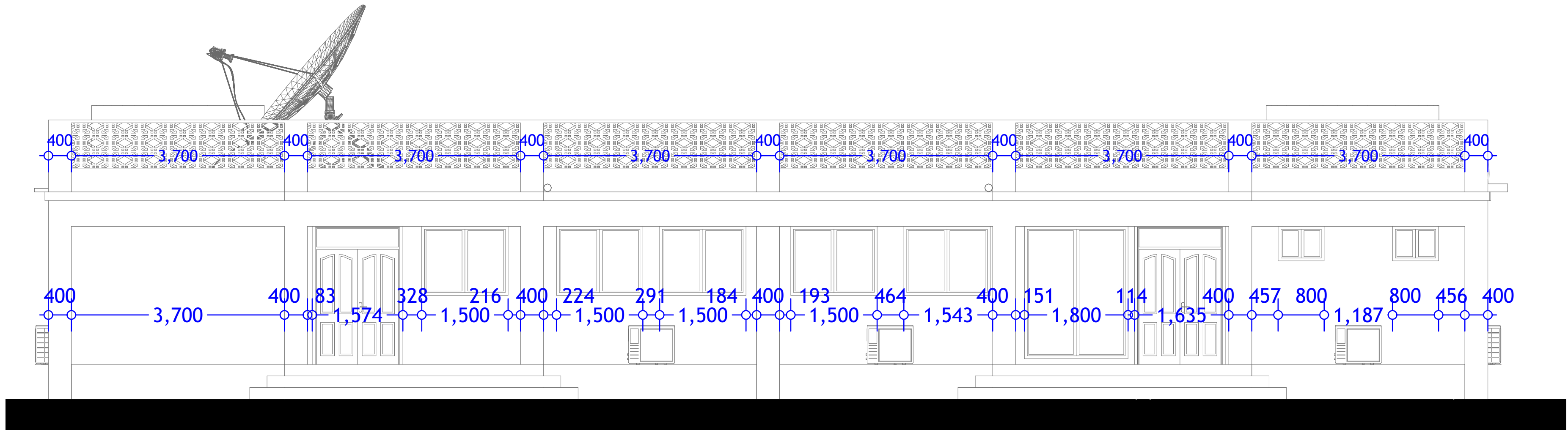
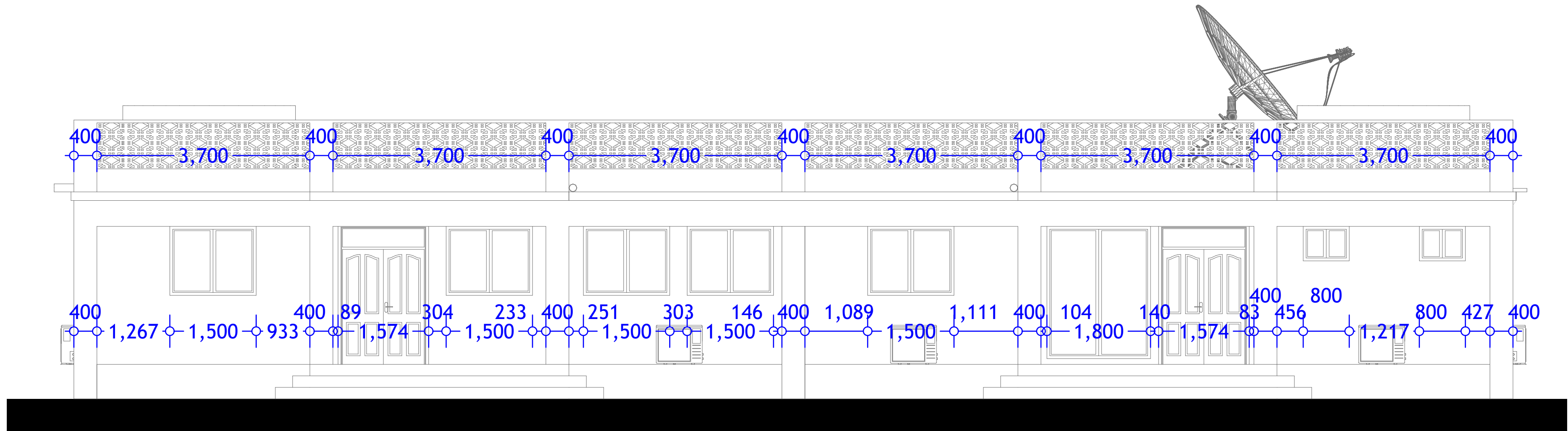
**PROJECT:**  
**PROPOSED IMMIGRATION HQ -DHOBLEY-**

**CONSULTANT**  
  
 IOM International Organization for Migration

Scale	N.T.S
Date	FEBRUARY 2017
Grant No.	
Drawn By:	James Nandwa
Reviewed and Approved by:	

Drawing title	Floor layout
Drawing No.	
Project No.	IOM/IBM/01/ 2017

**OFFICES**  
 SHEET 06/21



**NOTES**  
 All dimensions are in mm unless stated  
 Any discrepancies in the drawings should be reported to the consultants before the contractor commences work on site.  
 All drawings and concepts remain the property of IOM

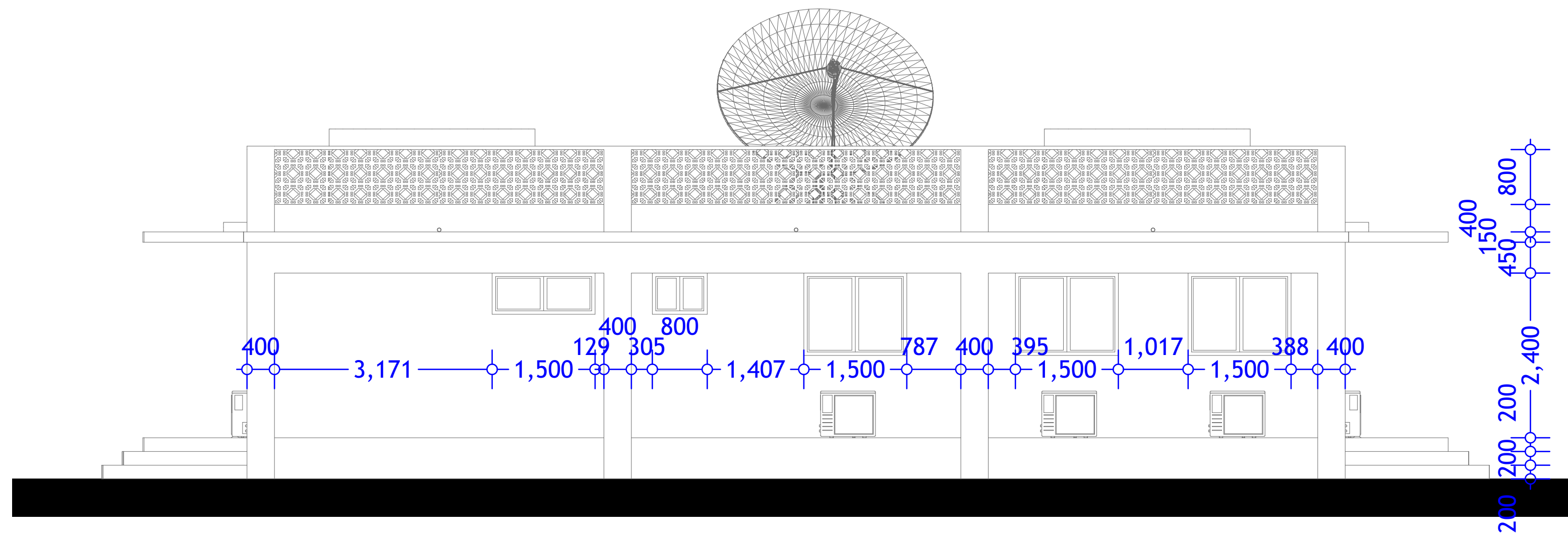
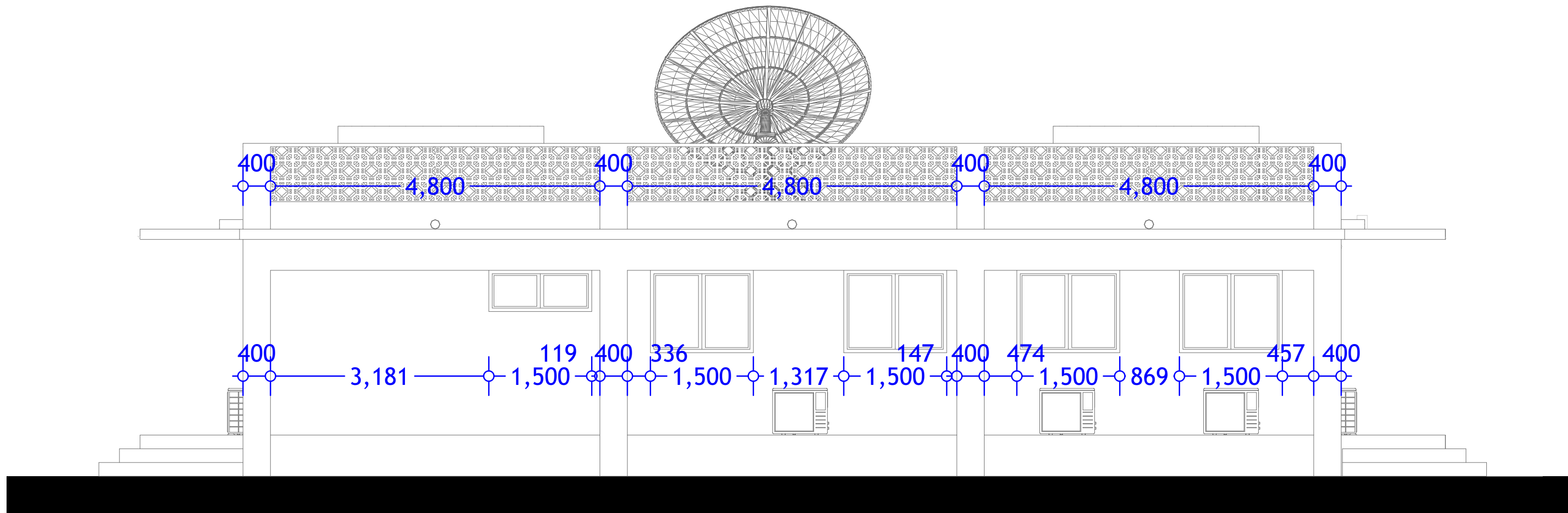
**PROJECT:**  
**PROPOSED  
 IMMIGRATION HQ  
 -DHOBLEY-**

**CONSULTANT**  
  
 IOM International Organization for Migration

Scale N.T.S  
 Date FEBRUARY 2017  
 Grant No.  
 Drawn By: James Nandwa  
 Reviewed and Approved by:

Drawing title Elevations\_1  
 Drawing No.  
 Project No. IOM/IBM/01/ 2017

**OFFICES**  
 SHEET NO. **07/21**



**NOTES**  
 All dimensions are in mm unless stated  
 Any discrepancies in the drawings should be reported to the consultants before the contractor commences work on site.  
 All drawings and concepts remain the property of IOM

**PROJECT:**  
**PROPOSED  
 IMMIGRATION HQ  
 -DHOBLEY-**

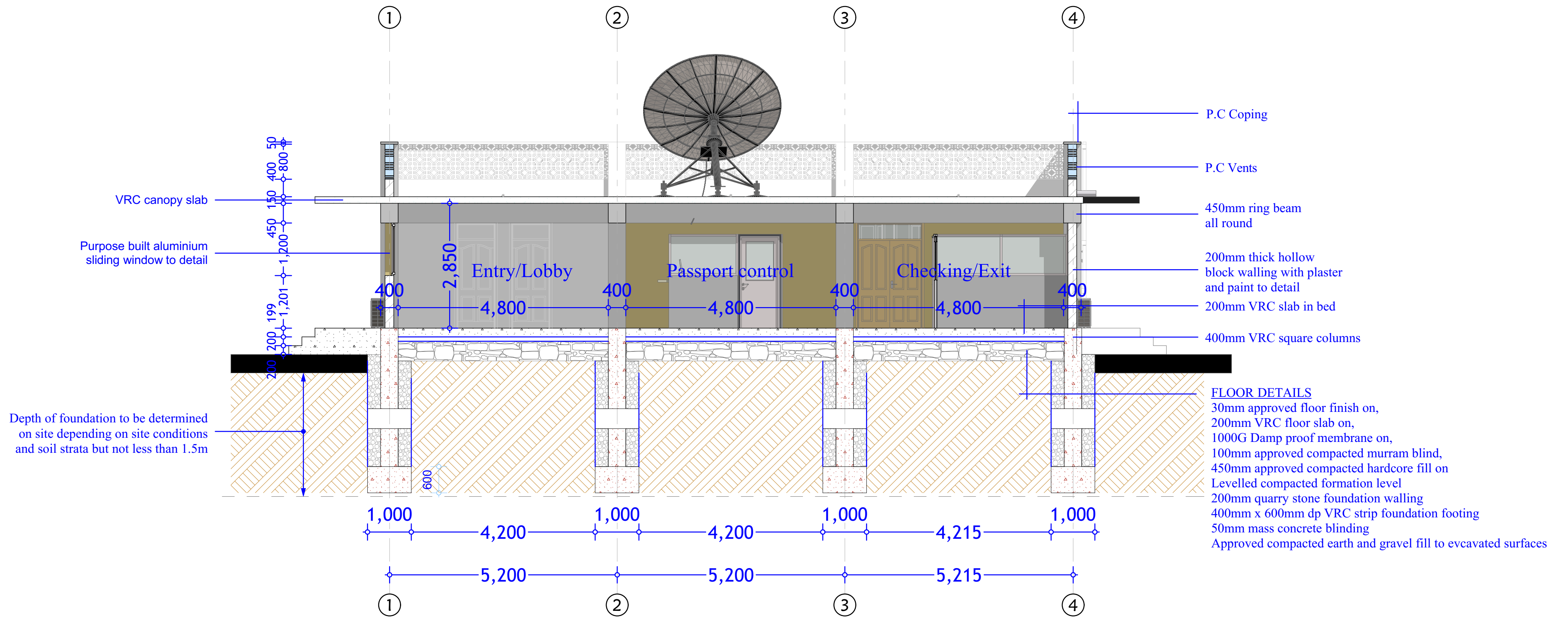
**CONSULTANT**  
  
 IOM International Organization for Migration

Scale	N.T.S
Date	FEBRUARY 2017
Grant No.	
Drawn By:	James Nandwa
Reviewed and Approved by:	

Drawing title	Elevations_2
Drawing No.	
Project No.	IOM/IBM/01/ 2017

**OFFICES**  
**SHEET NO. 08/21**





**NOTES**  
 All dimensions are in mm unless stated  
 Any discrepancies in the drawings should be reported to the consultants before the contractor commences work on site.  
 All drawings and concepts remain the property of IOM

**PROJECT:**  
**PROPOSED IMMIGRATION HQ -DHOBLEY-**

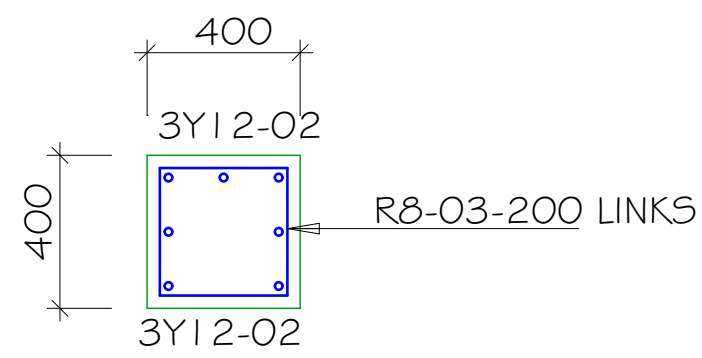
**CONSULTANT**  
  
 IOM International Organization for Migration

Scale	N.T.S
Date	FEBRUARY 2017
Grant No.	
Drawn By:	James Nandwa
Reviewed and Approved by:	

Drawing title	Section
Drawing No.	
Project No.	IOM/IBM/01/ 2017

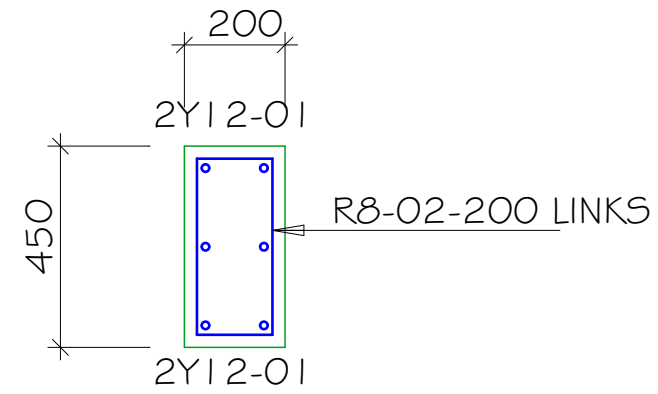
**OFFICES**  
 SHEET NO. 09/21





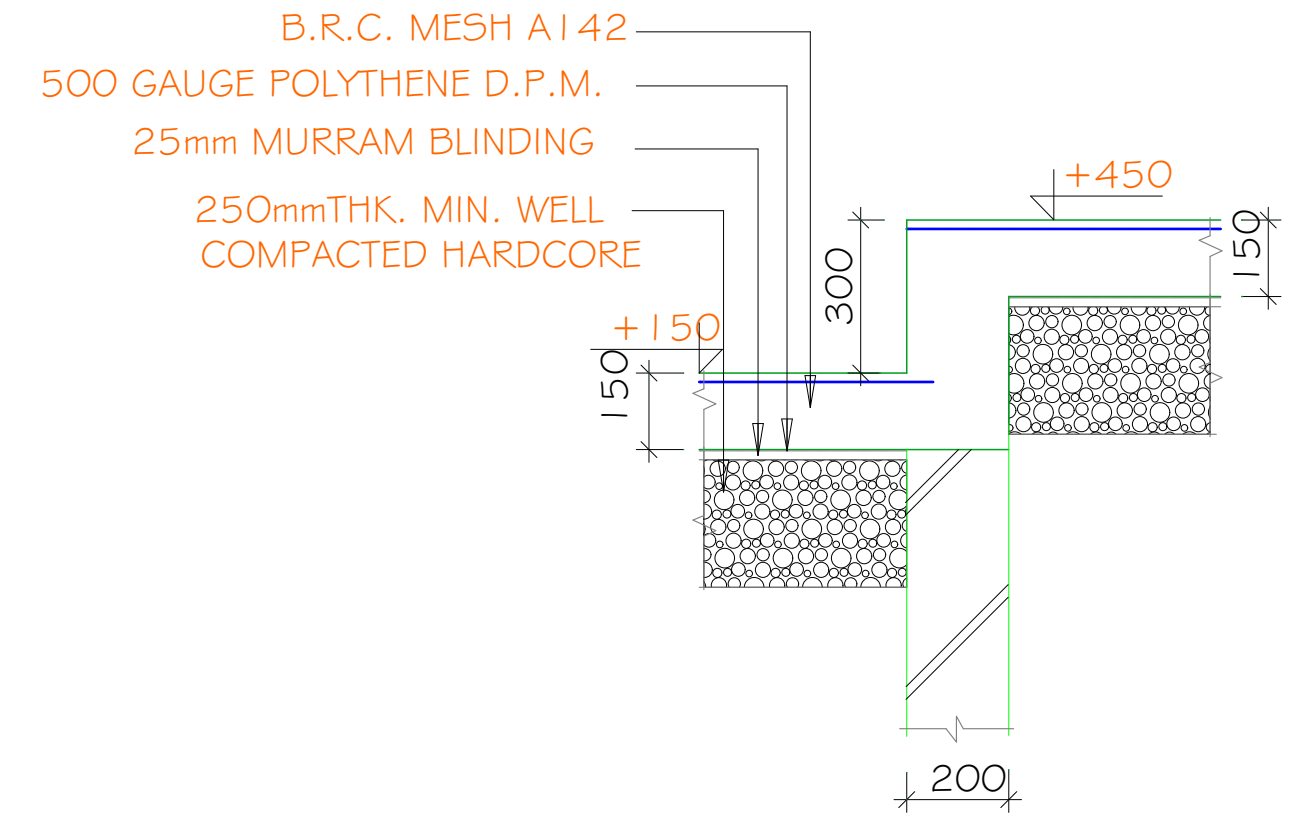
SECTION E-E (Column)

SCALE 1:25



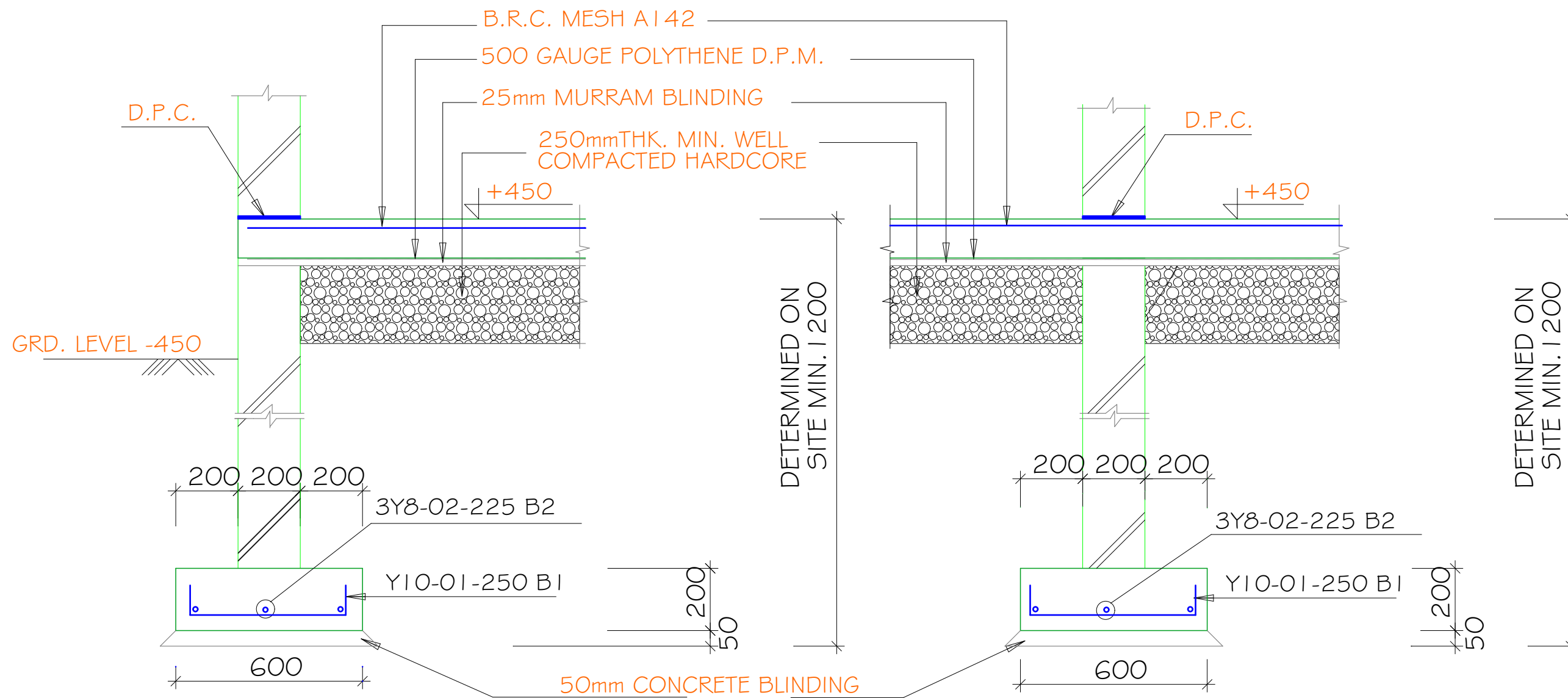
BEAM RB1

SCALE 1:25



SECTION C-C

SCALE 1:25

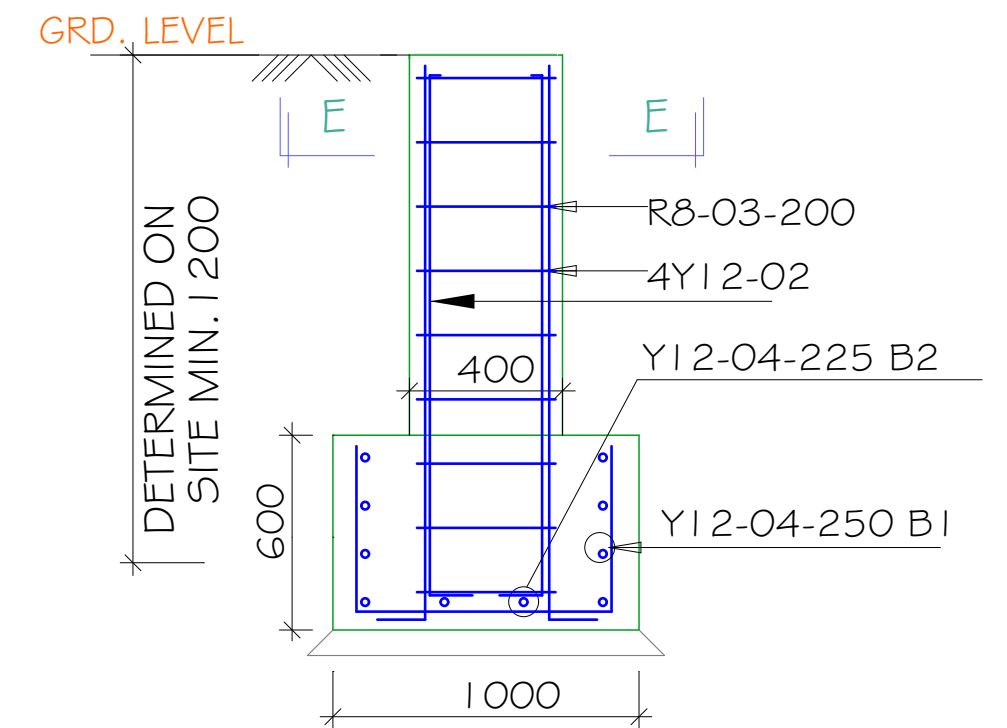


SECTION A-A

SCALE 1:25

SECTION B-B

SCALE 1:25



SECTION B-B

SCALE 1:25

**NOTES**  
All dimensions are in mm unless stated  
Any discrepancies in the drawings should be reported to the consultants before the contractor commences work on site.  
All drawings and concepts remain the property of IOM

PROJECT: **PROPOSED IMMIGRATION HQ -DHOBLEY-**

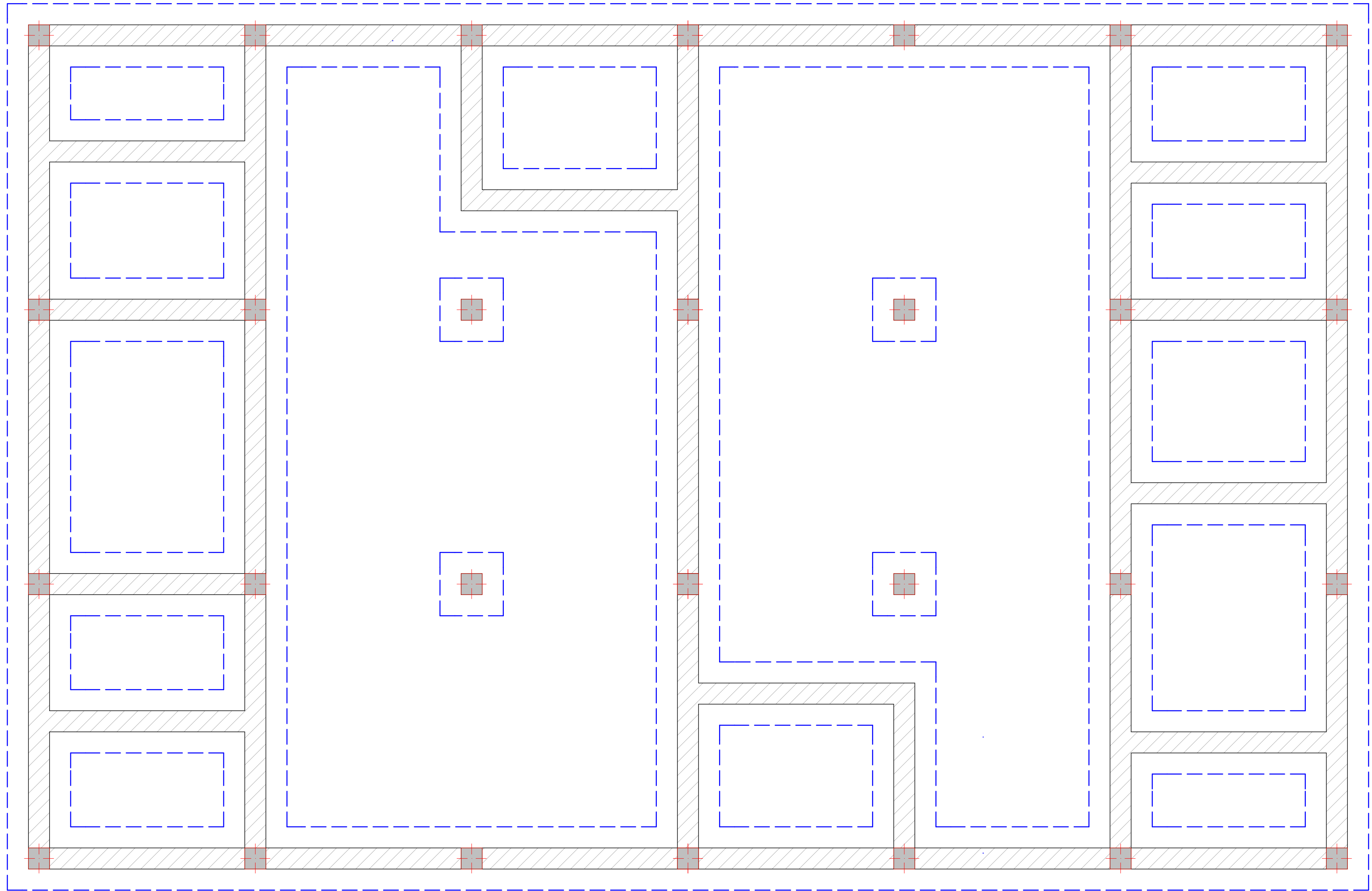
CONSULTANT  
  
IOM International Organization for Migration

Scale N.T.S.  
Date FEBRUARY 2017  
Grant No.  
Drawn By: James Nandwa  
Reviewed and Approved by:

Drawing title **Structural Fdn**  
Drawing No.  
Project No. IOM/IBM/01/ 2017

**OFFICES**  
SHEET NO. **10/21**





**NOTES**  
 All dimensions are in mm unless stated  
 Any discrepancies in the drawings should be reported to the consultants before the contractor commences work on site.  
 All drawings and concepts remain the property of IOM

**PROJECT:**  
**PROPOSED IMMIGRATION HQ -DHOBLEY-**

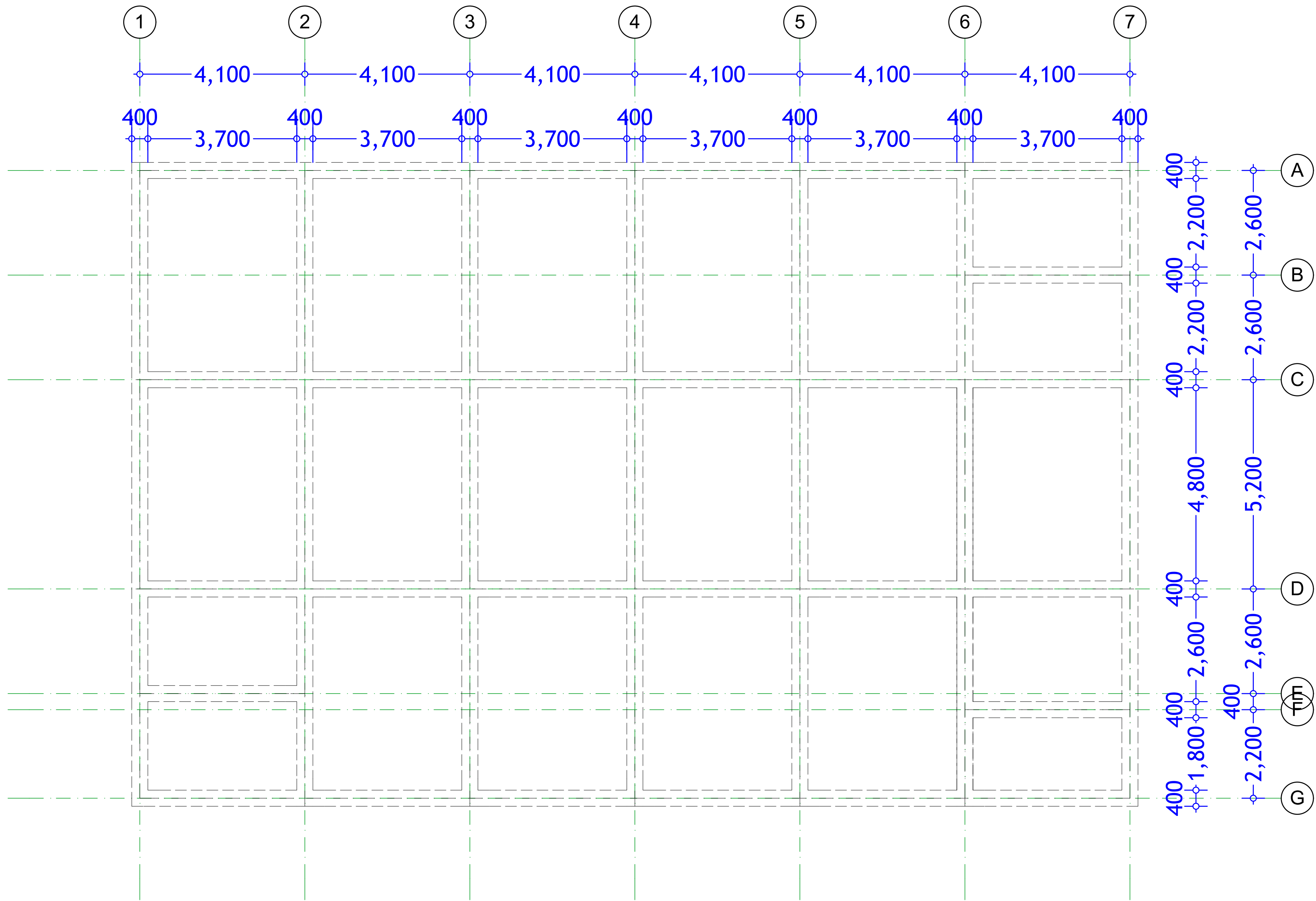
**CONSULTANT**  
  
 IOM International Organization for Migration

Scale N.T.S  
 Date FEBRUARY 2017  
 Grant No.  
 Drawn By: James Nandwa  
 Reviewed and Approved by:

Drawing title **Structural Fdn**  
 Drawing No.  
 Project No. IOM/IBM/01/ 2017

**OFFICES**  
 SHEET No. 11/21





**NOTES**  
 All dimensions are in mm unless stated  
 Any discrepancies in the drawings should be reported to the consultants before the contractor commences work on site.  
 All drawings and concepts remain the property of IOM

**PROJECT:**  
**PROPOSED IMMIGRATION HQ -DHOBLEY-**

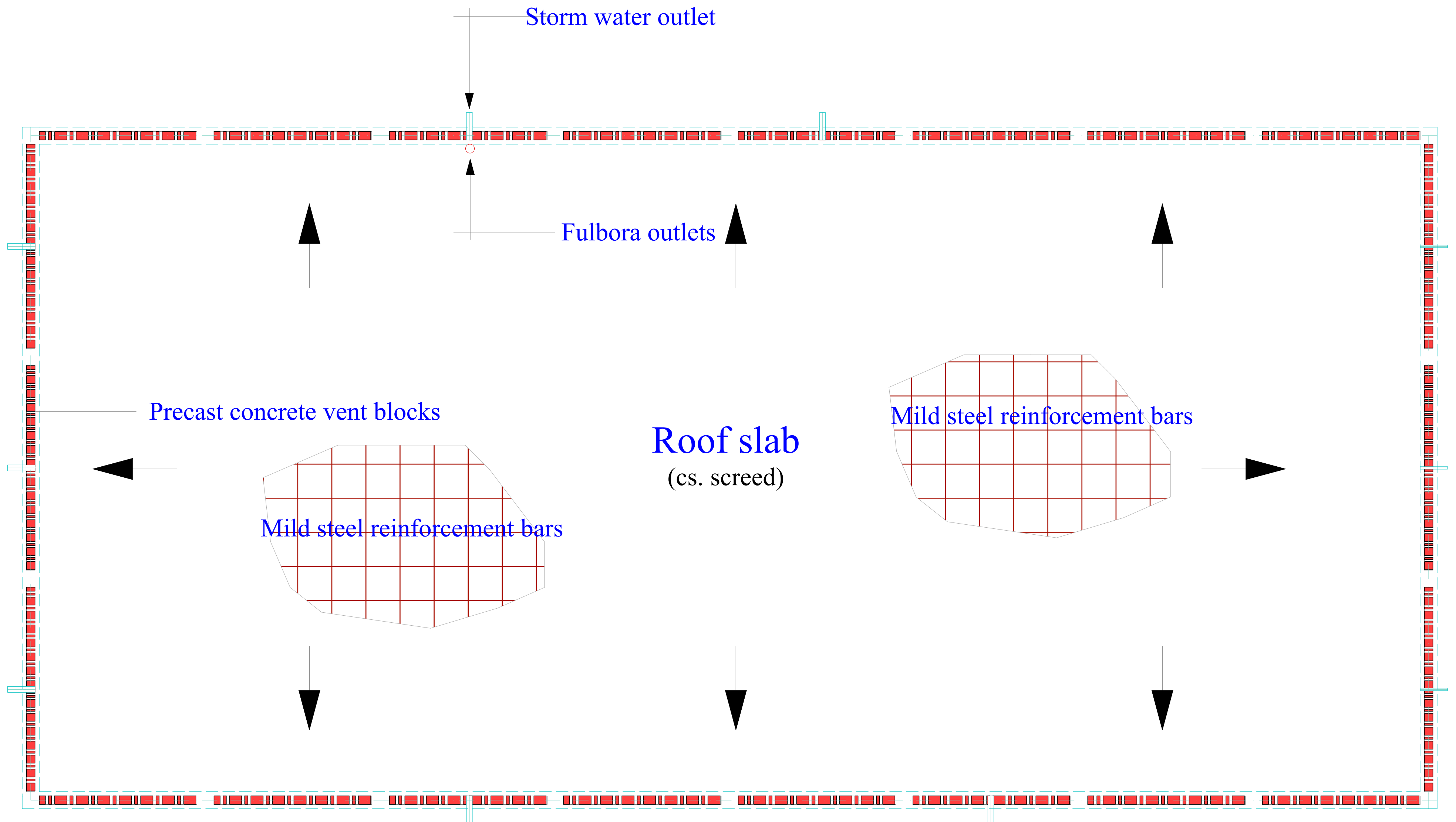
**CONSULTANT**  
  
 IOM International Organization for Migration

Scale: N.T.S.  
 Date: FEBRUARY 2017  
 Grant No.:  
 Drawn By: James Nandwa  
 Reviewed and Approved by:

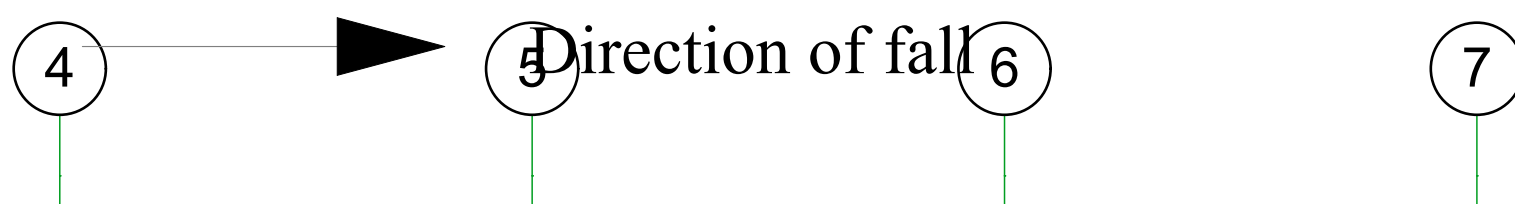
Drawing title: **Structural Beam**  
 Drawing No.:  
 Project No.: IOM/IBM/01/ 2017

**OFFICES**  
 SHEET NO. **12/21**





**Legend**



**NOTES**  
 All dimensions are in mm unless stated  
 Any discrepancies in the drawings should be reported to the consultants before the contractor commences work on site.  
 All drawings and concepts remain the property of IOM

**PROJECT:**  
 PROPOSED  
 IMMIGRATION HQ  
 -DHOBLEY-

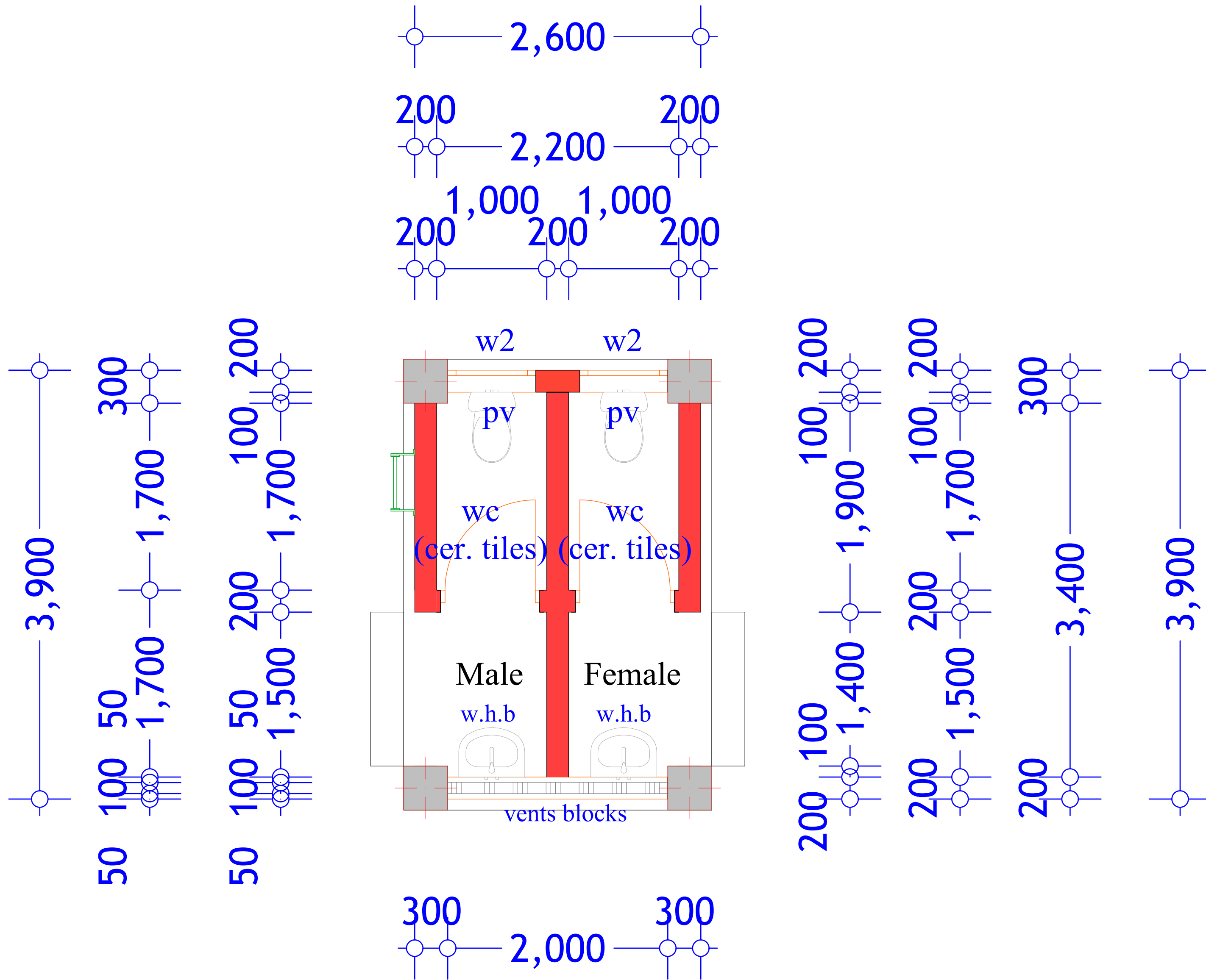
**CONSULTANT**  
  
 IOM International Organization for Migration

Scale N.T.S.  
 Date FEBRUARY 2017  
 Grant No.  
 Drawn By: James Nandwa  
 Reviewed and Approved by:

Drawing title **Structural Roof**  
 Drawing No.  
 Project No. IOM/IBM/01/ 2017

**OFFICES**  
 SHEET NO. 13/21





**NOTES**  
 All dimensions are in mm unless stated  
 Any discrepancies in the drawings should be reported to the consultants before the contractor commences work on site.  
 All drawings and concepts remain the property of IOM

**PROJECT:**  
 PROPOSED  
 IMMIGRATION HQ  
 -DHOBLEY-

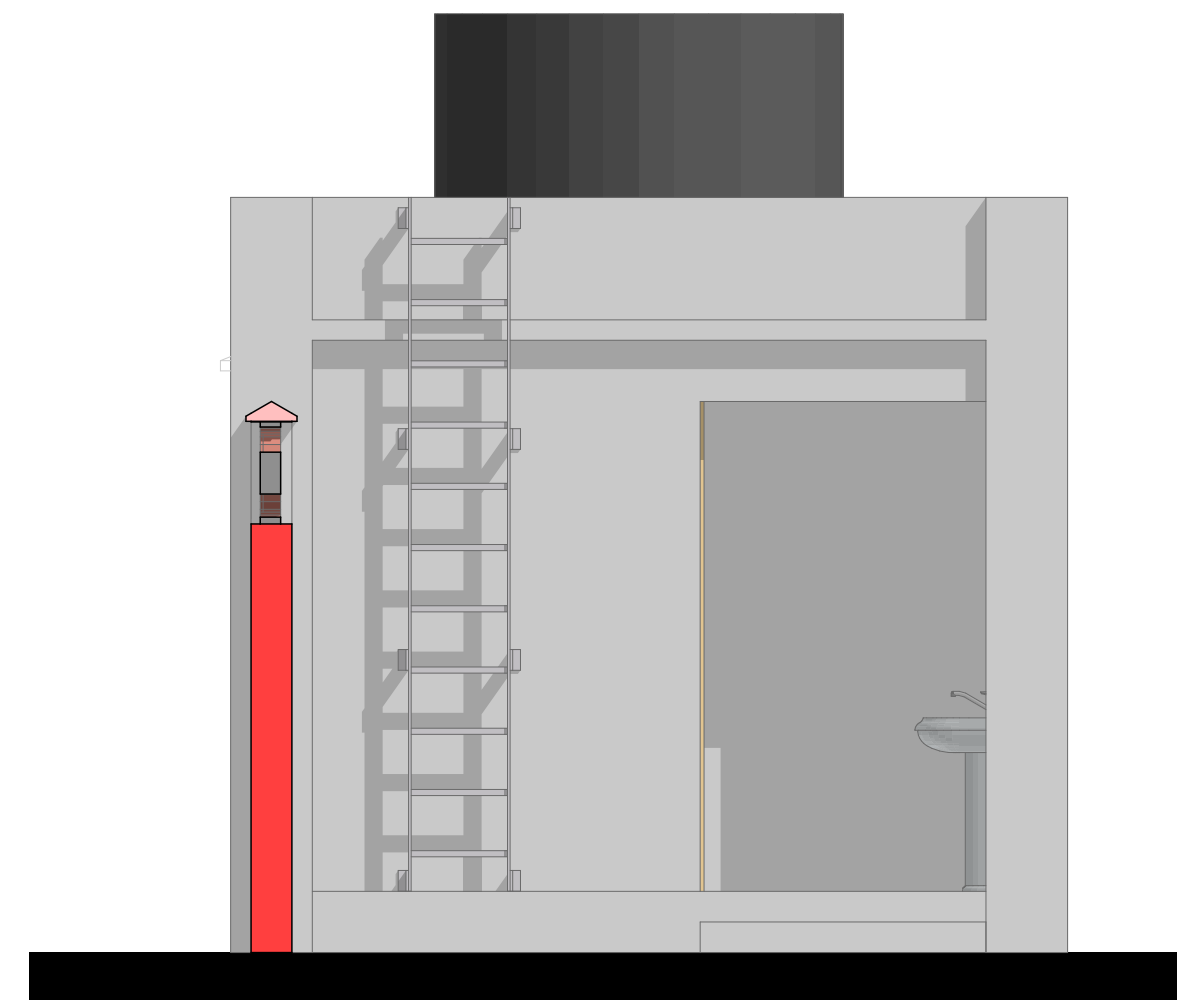
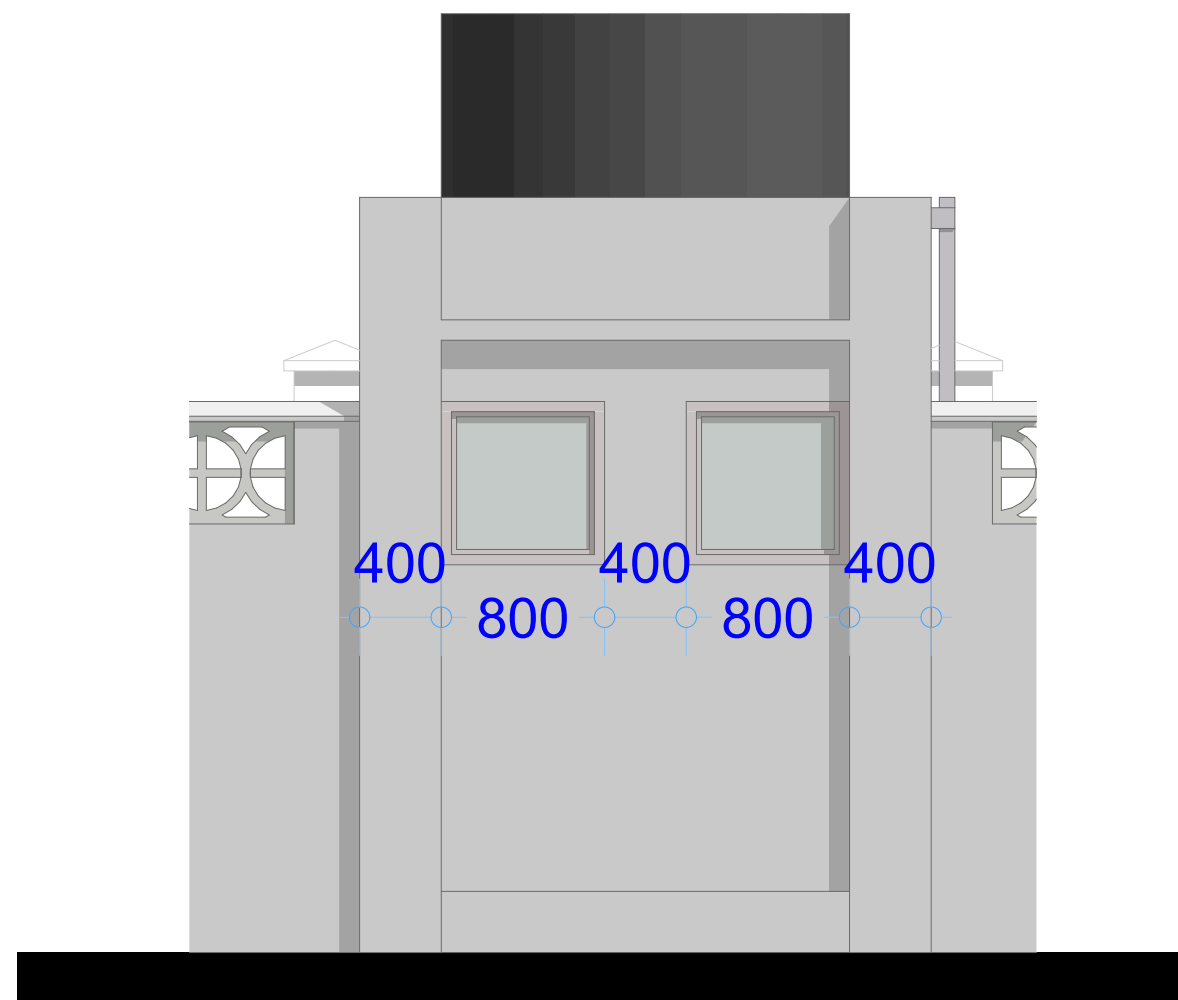
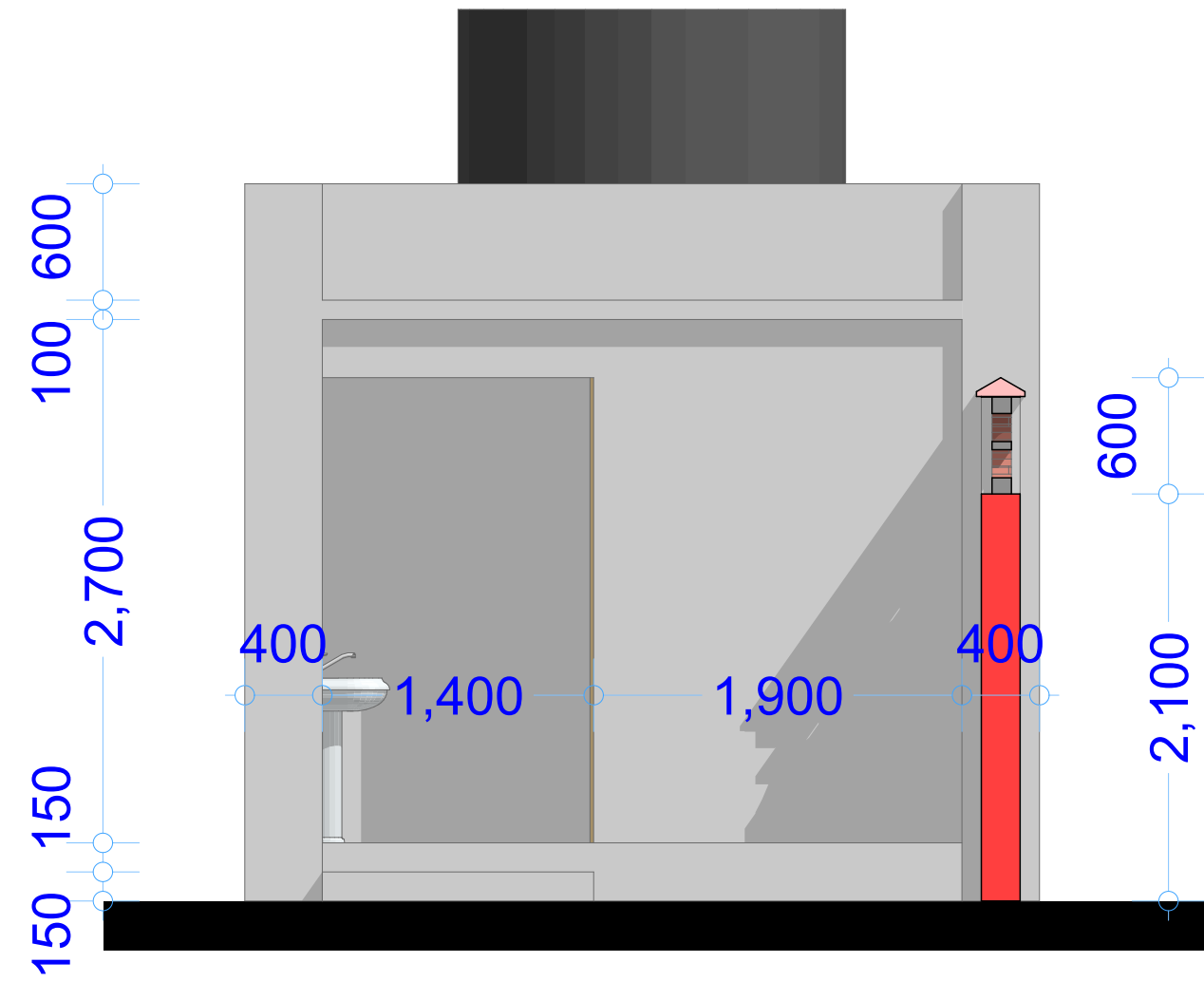
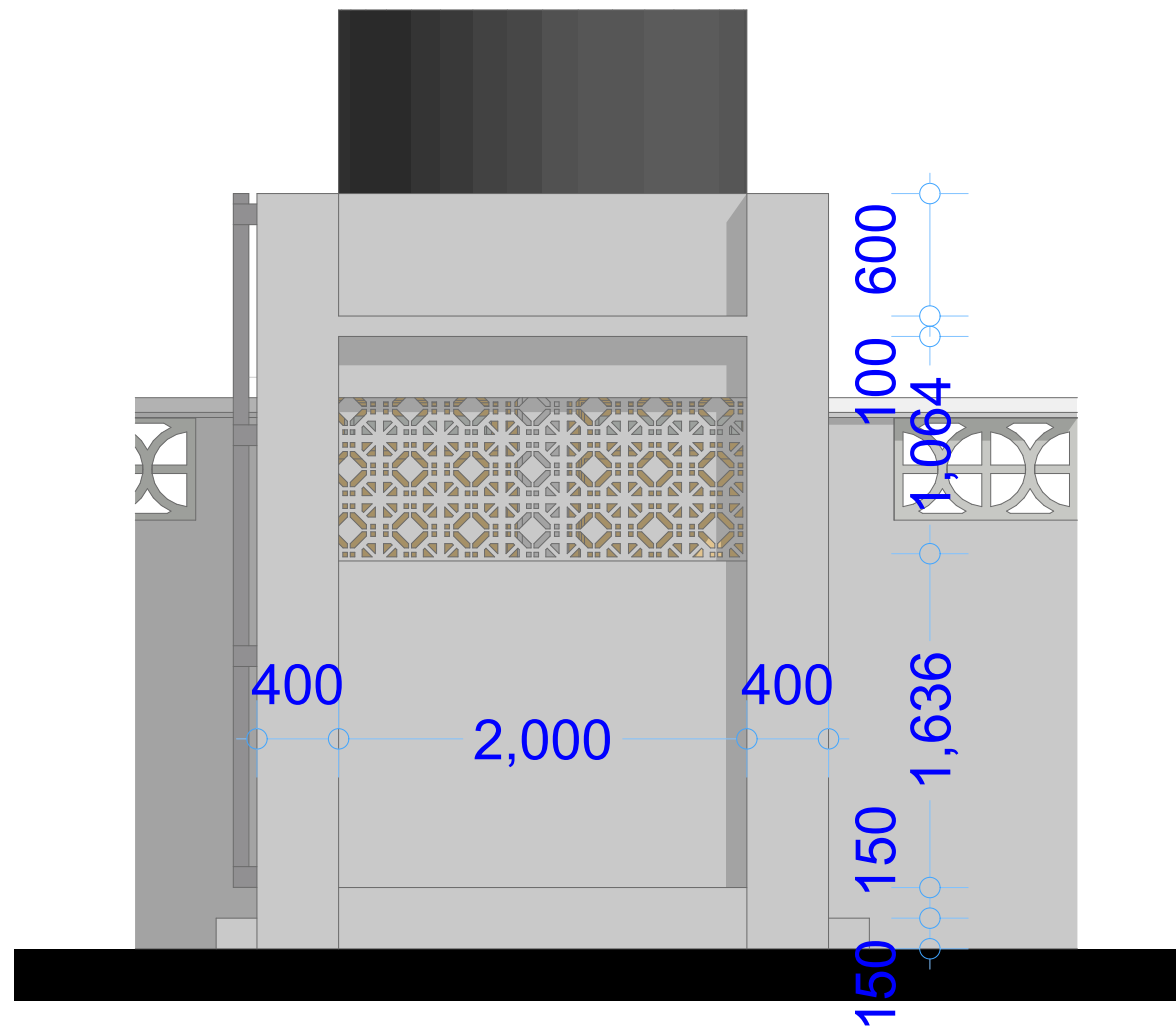
**CONSULTANT**  
  
 IOM International Organization for Migration

Scale: N.T.S.  
 Date: FEBRUARY 2017  
 Grant No.:  
 Drawn By: James Nandwa  
 Reviewed and Approved by:

Drawing title: Floor layout  
 Drawing No.:  
 Project No.: IOM/IBM/01/ 2017

**TOILETS**  
 SHEET No. 14/21





**NOTES**  
 All dimensions are in mm unless stated  
 Any discrepancies in the drawings should be reported to the consultants before the contractor commences work on site.  
 All drawings and concepts remain the property of IOM

**PROJECT:**  
**PROPOSED IMMIGRATION HQ -DHOBLEY-**

**CONSULTANT**  
  
 IOM International Organization for Migration

Scale N.T.S  
 Date FEBRUARY 2017  
 Grant No.  
 Drawn By: James Nandwa  
 Reviewed and Approved by:

Drawing title **Elevations**  
 Drawing No.  
 Project No. IOM/IBM/01/ 2017

**TOILETS**  
 SHEET NO. 13/21

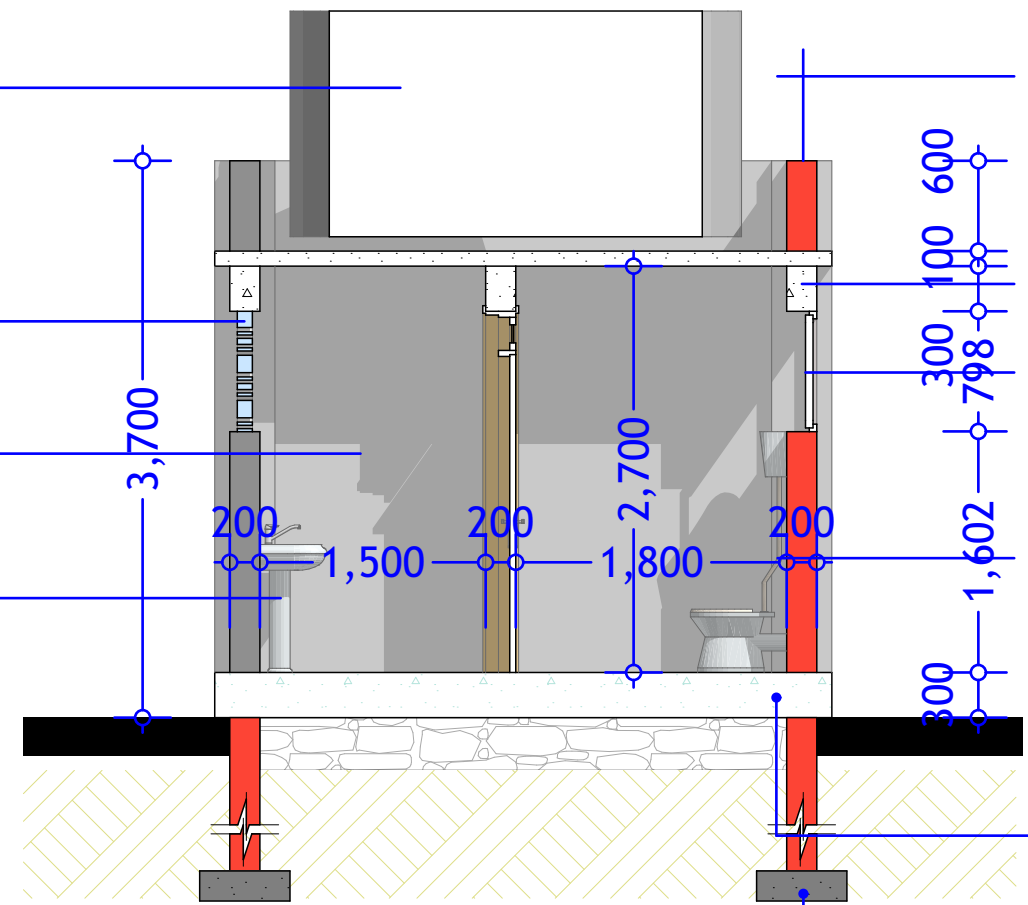


1000litres P.V.C. cold water storage tanks on structural bearers to approval.

P.C. ventblocks fixed to approval.

2000mm height hollow-blocks partition walls with plaster and paint finish to approval.

Ceramic sanitary fittings to approval.



50mm thick concrete coping on parapet wall to detail.

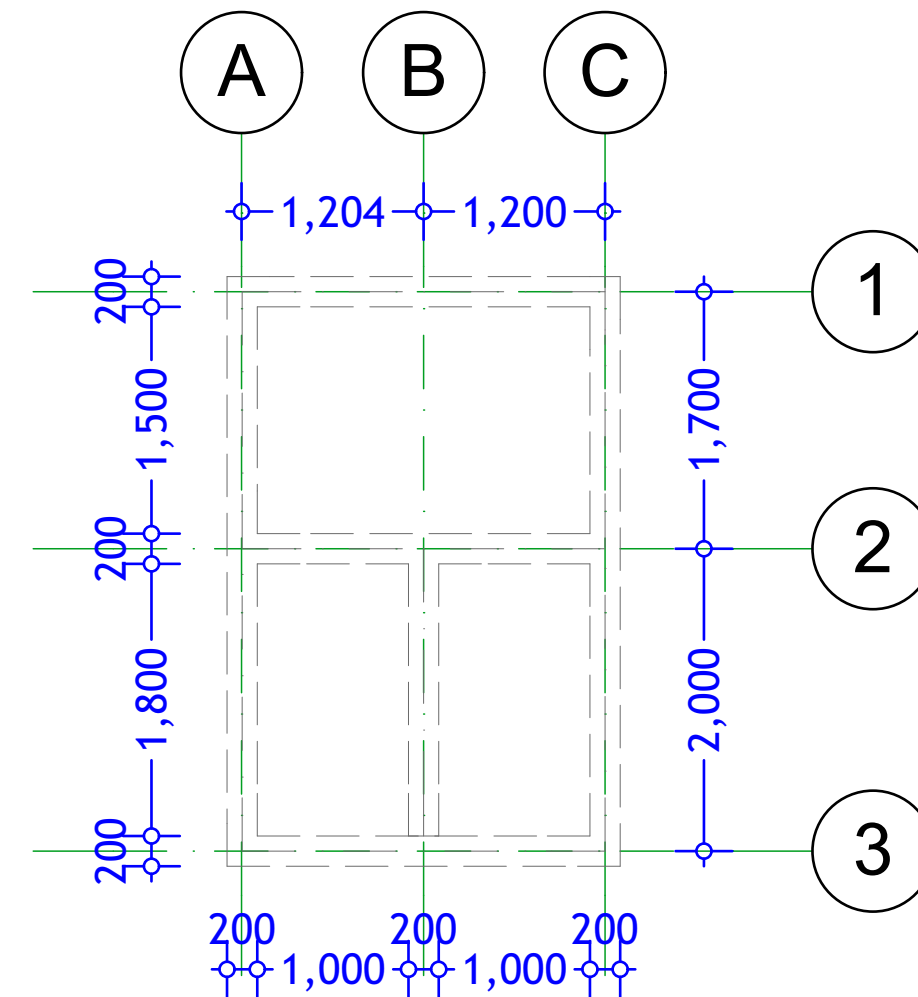
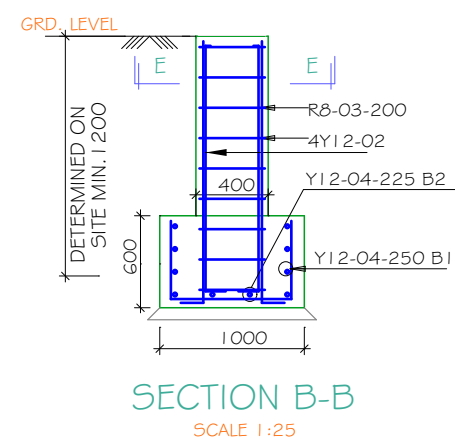
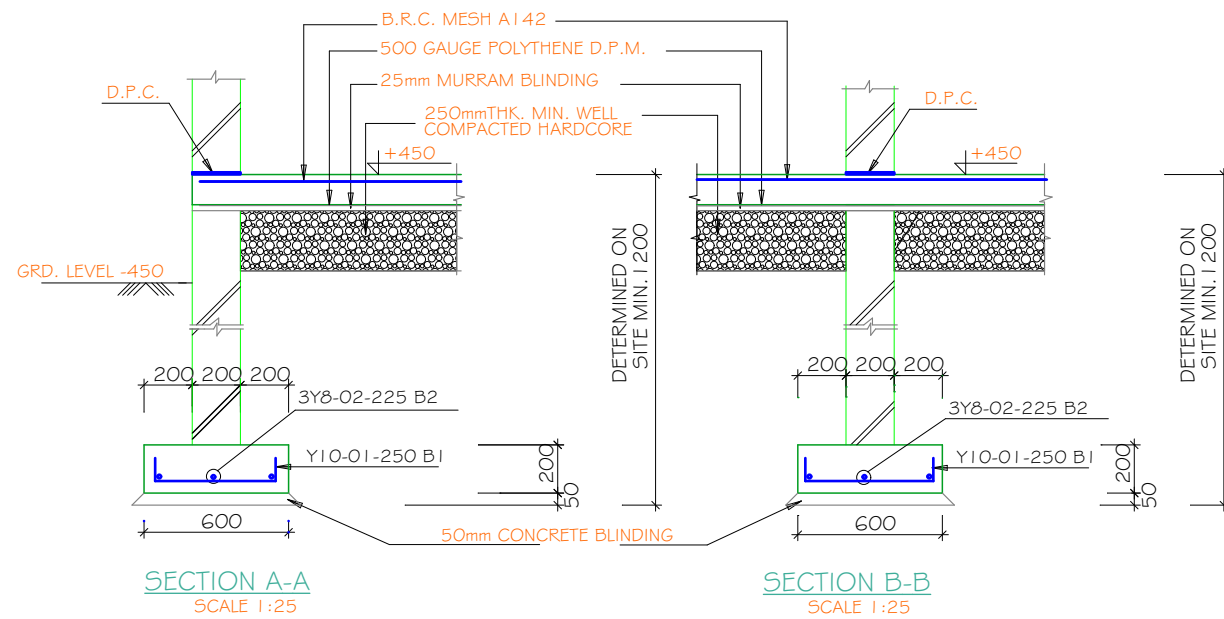
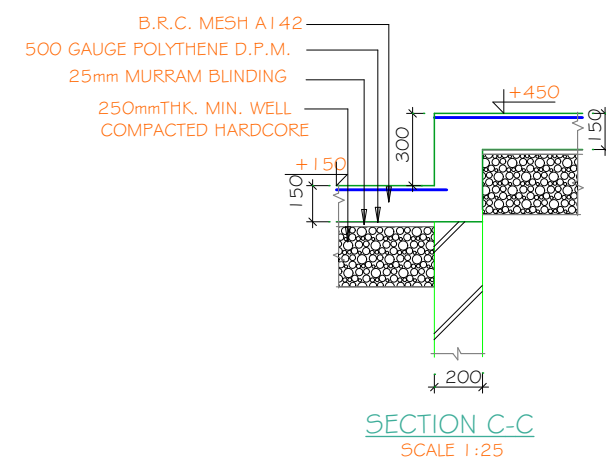
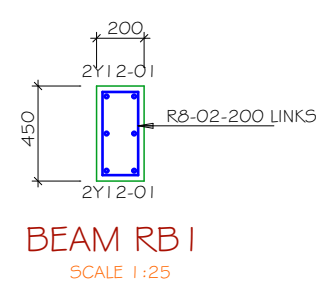
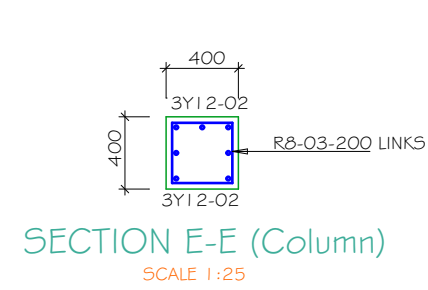
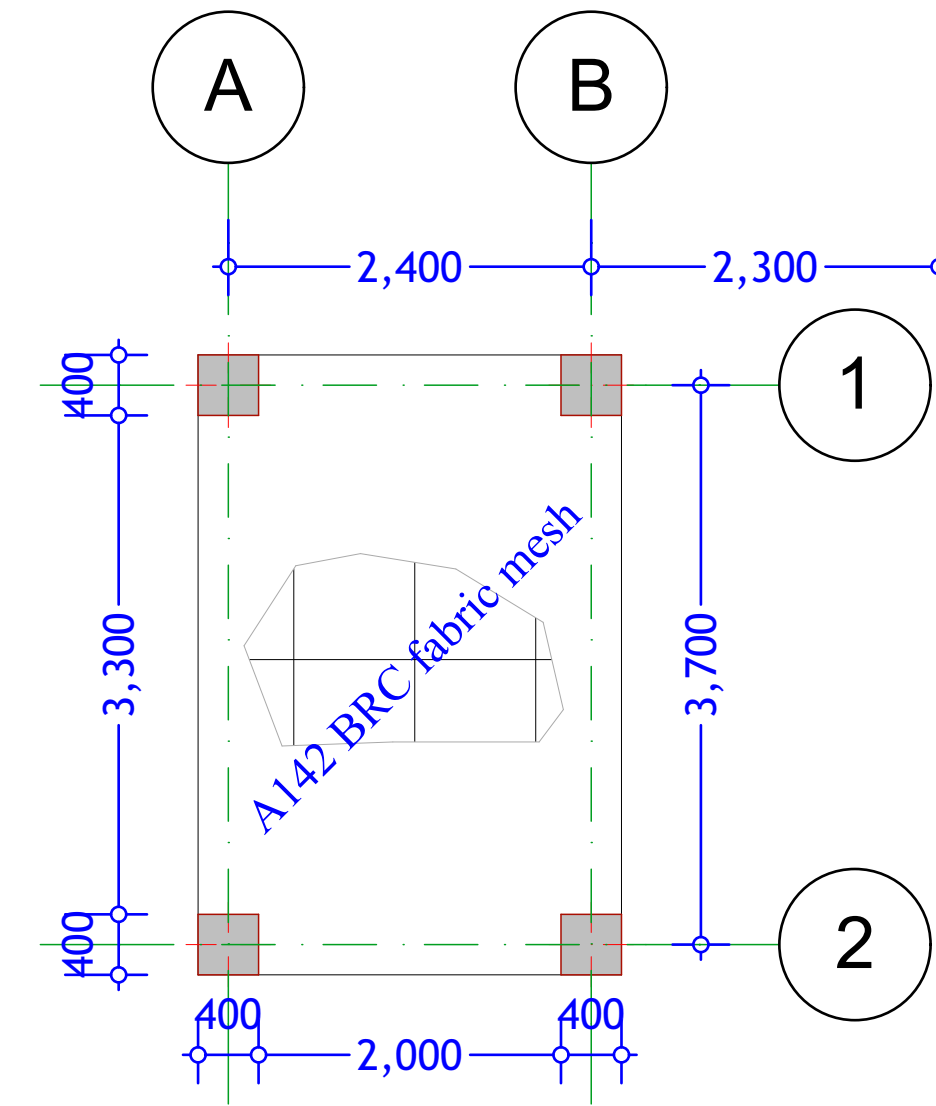
VRC ring beam to structural details

Aluminium windows to fabricator's details.

Toilets fitted with wash-pipes, toilet paper holders, electric air hand dryers and mirrors above all W.H.B.s to fitting specialist's details.

150mm thick R.C. slab with B.R.C. mesh and D.P.M. cast on well compacted hardcore with anti-termite treatment and blinding layer; see S.E. details.

R.C. foundation with 200mm thick masonry foundation walling; see S.E. details.



**NOTES**  
All dimensions are in mm unless stated  
Any discrepancies in the drawings should be reported to the consultants before the contractor commences work on site.  
All drawings and concepts remain the property of IOM

**PROJECT:**  
**PROPOSED IMMIGRATION HQ -DHOBLEY-**

**CONSULTANT**  
  
IOM International Organization for Migration

Scale: N.T.S.  
Date: FEBRUARY 2017  
Grant No.:  
Drawn By: James Nandwa  
Reviewed and Approved by:

Drawing title: **Structural**  
Drawing No.:  
Project No.: IOM/IBM/01/ 2017

**TOILETS**  
SHEET NO. 16/21

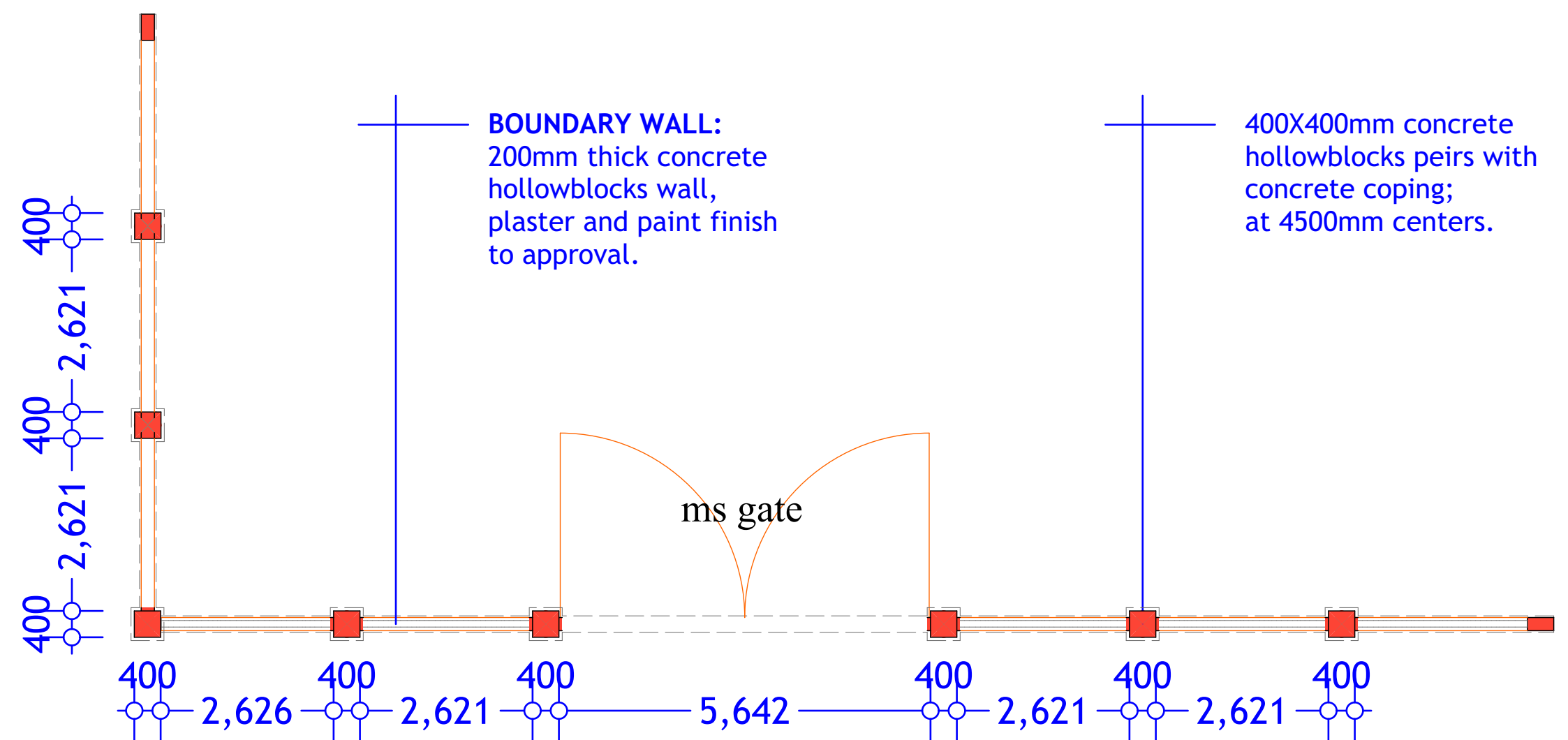
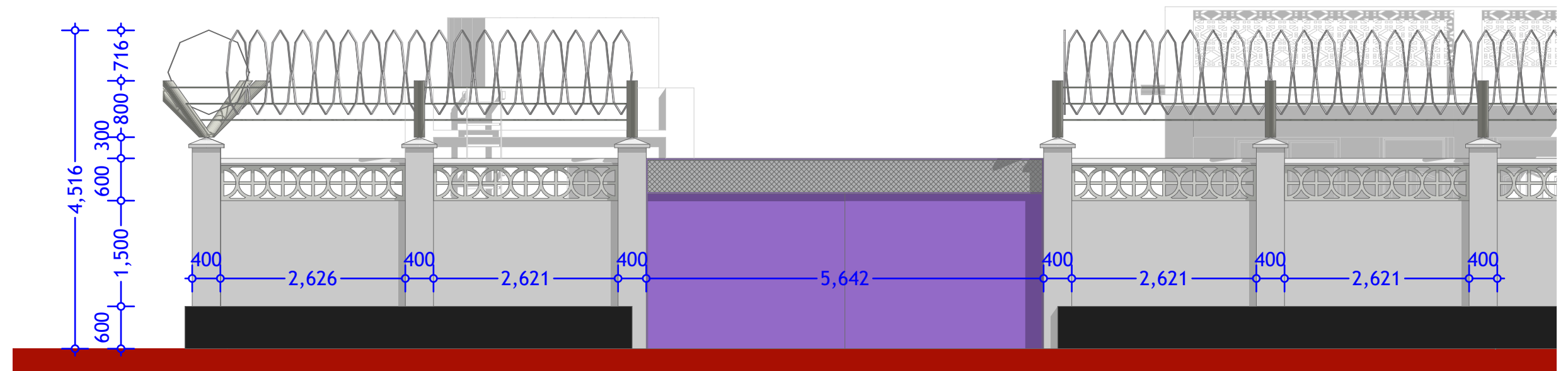
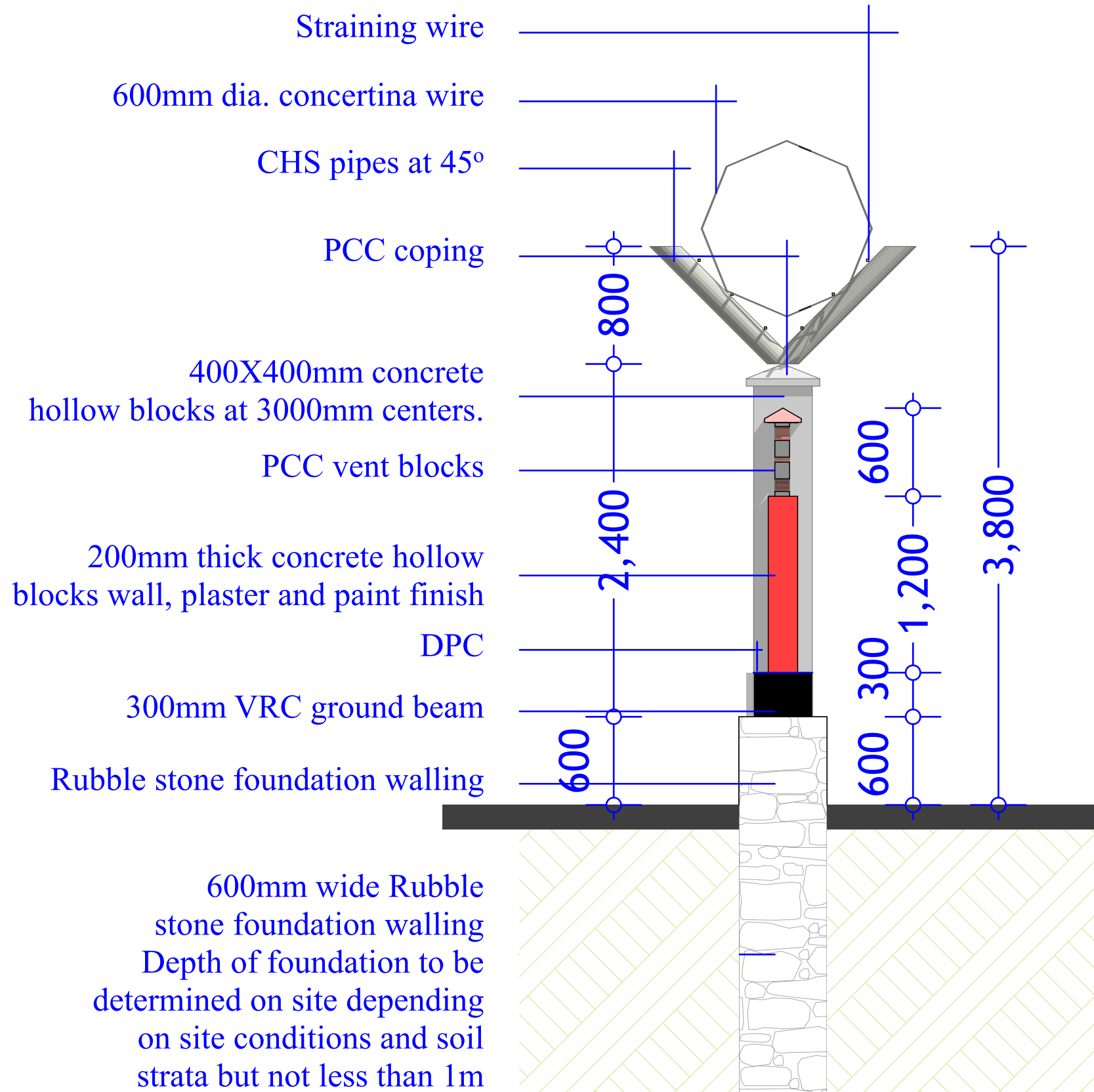












**NOTES**  
 All dimensions are in mm unless stated  
 Any discrepancies in the drawings should be reported to the consultants before the contractor commences work on site.  
 All drawings and concepts remain the property of IOM

PROJECT: **PROPOSED IMMIGRATION HQ -DHOBLEY-**

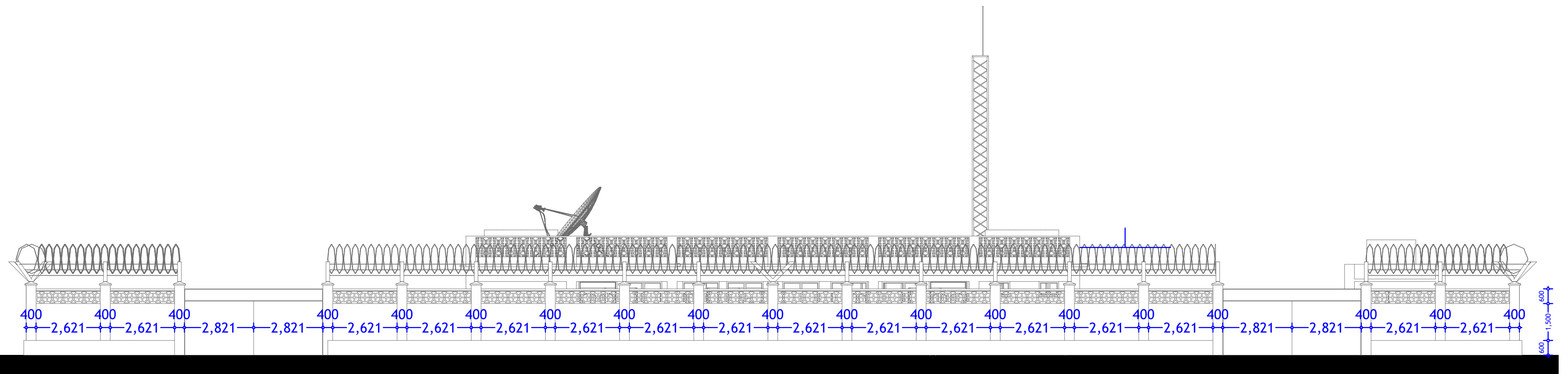
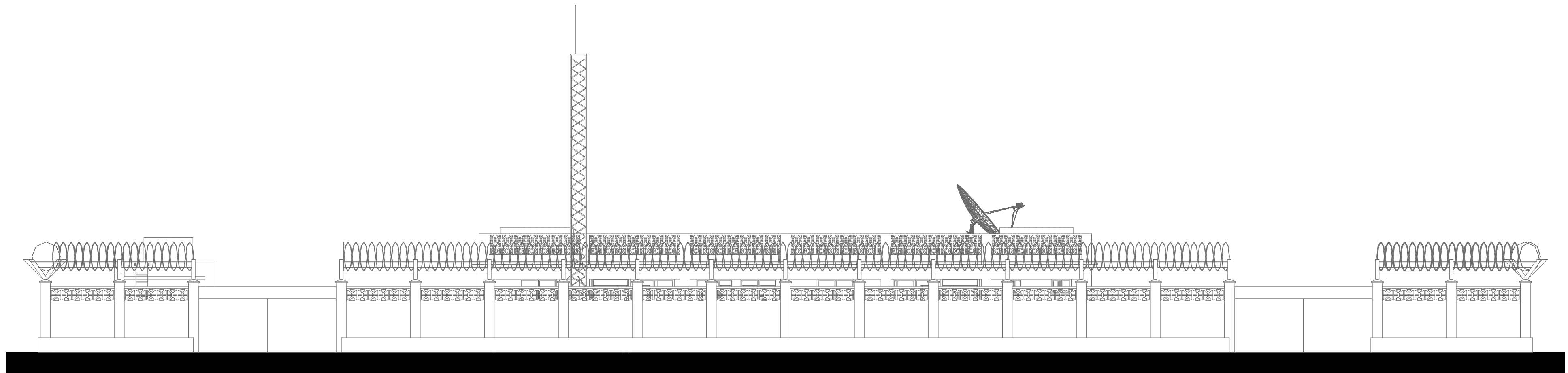
CONSULTANT  
  
 IOM International Organization for Migration

Scale: N.T.S.  
 Date: FEBRUARY 2017  
 Grant No.:  
 Drawn By: James Nandwa  
 Reviewed and Approved by:

Drawing title: **Details**  
 Drawing No.:  
 Project No.: IOM/IBM/01/ 2017

**BOUNDARY WALL**  
**SHEET NO. 19/21**





**NOTES**  
 All dimensions are in mm unless stated  
 Any discrepancies in the drawings should be reported to the consultants before the contractor commences work on site.  
 All drawings and concepts remain the property of IOM

**PROJECT:**  
**PROPOSED IMMIGRATION HQ**  
**-DHOBLEY-**

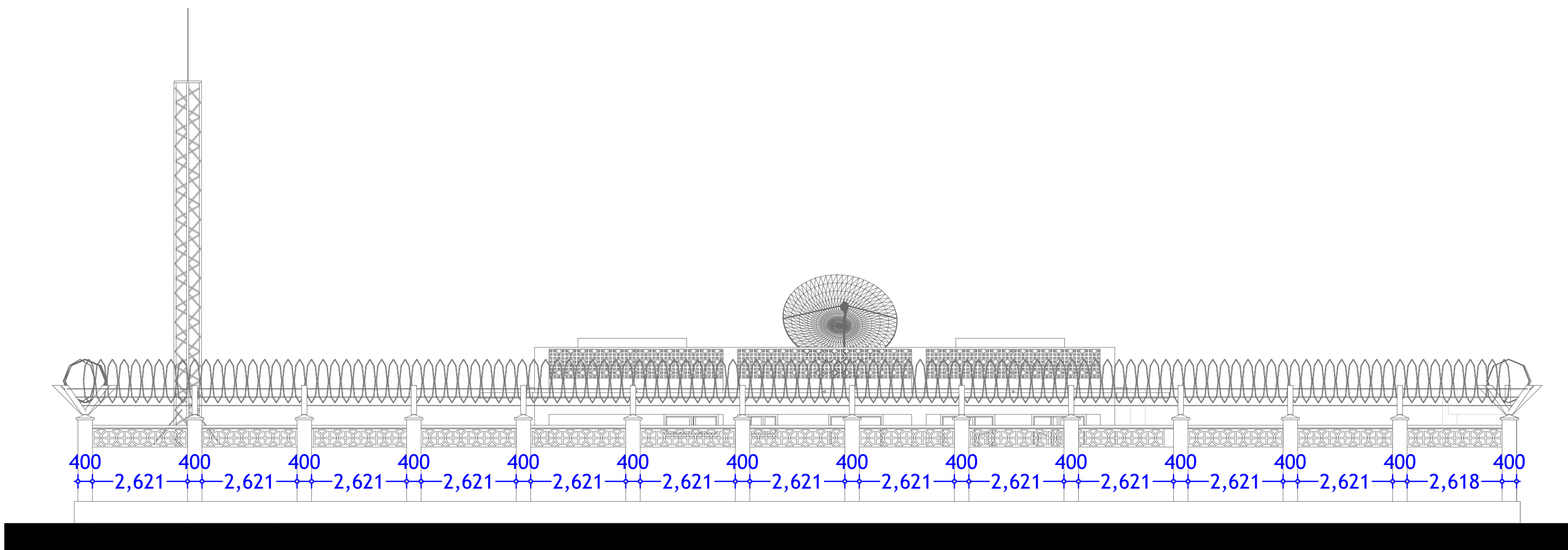
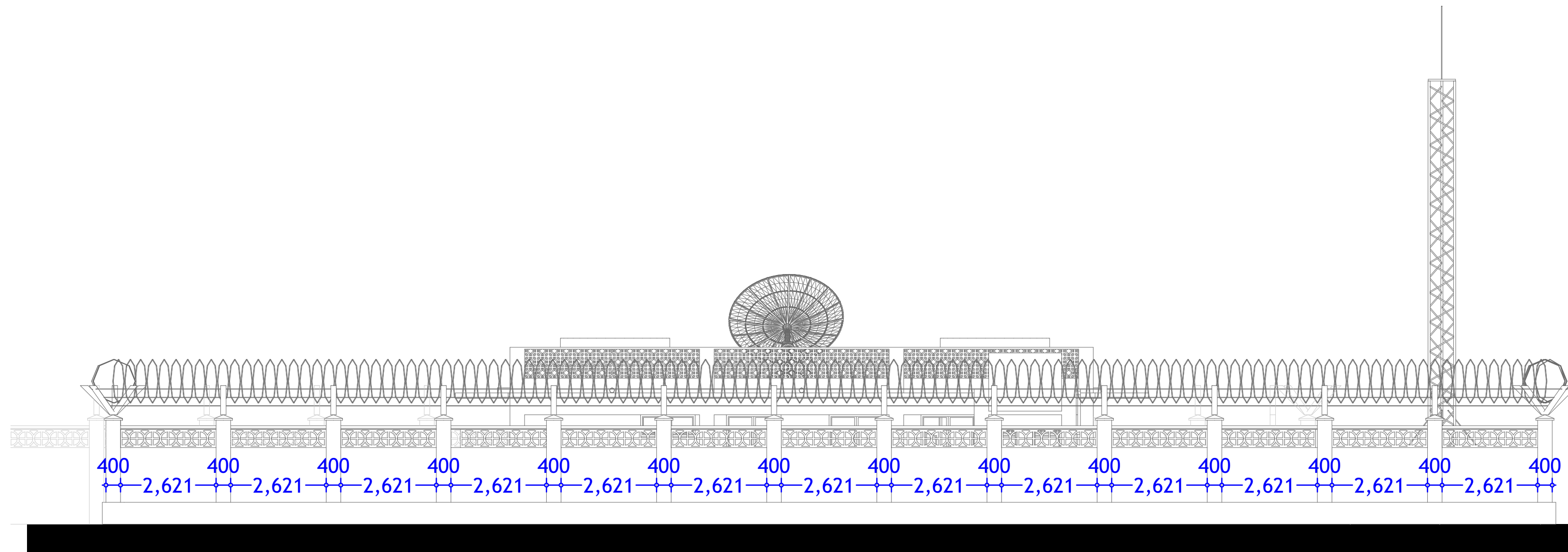
**CONSULTANT**  
  
 IOM International Organization for Migration

Scale N.T.S  
 Date FEBRUARY 2017  
 Grant No.  
 Drawn By: James Nandwa  
 Reviewed and Approved by:

Drawing title **Elevations**  
 Drawing No.  
 Project No. IOM/IBM/01/ 2017

**BOUNDARY WALL**  
**SHEET NO 20/21**





**NOTES**  
 All dimensions are in mm unless stated  
 Any discrepancies in the drawings should be reported to the consultants before the contractor commences work on site.  
 All drawings and concepts remain the property of IOM

**PROJECT:**  
**PROPOSED IMMIGRATION HQ -DHOBLEY-**

**CONSULTANT**  
  
 IOM International Organization for Migration

Scale N.T.S  
 Date FEBRUARY 2017  
 Grant No.  
 Drawn By: James Nandwa  
 Reviewed and Approved by:

Drawing title Elevations  
 Drawing No.  
 Project No. IOM/IBM/01/ 2017

**BOUNDARY WALL**  
**SHEET 21/21**